

Models

KC-5 KC-8 KC-15

Features

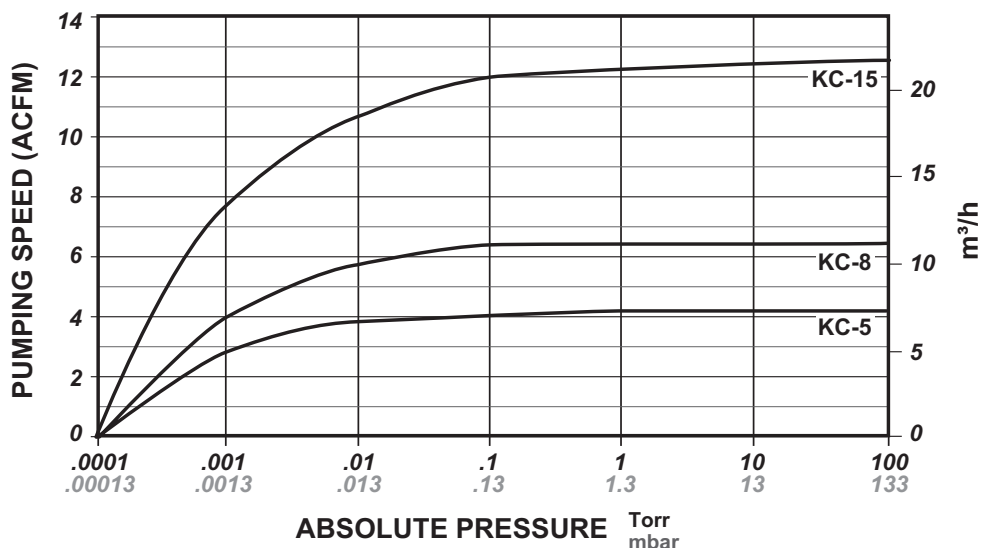
- High pumping speed at pressures below 10 microns; much lower than attainable with single stage pumps
- Ultimate Vacuum: 0.2 microns (McLeod Gauge)
- Positive pressure lubrication assures operation at any pressure up to atmospheric pressure
- Adjustable gas ballast permits handling of condensable vapors
- No metal-to-metal contact in pumping chamber
- Unequaled durability, even in dirty applications



Specifications

| MODEL | NOMINAL DISPLACEMENT ACFM / m ³ /h | MOTOR HP / kW | RPM | OIL CAPACITY Quarts/Liters | MAX. GAS BALLAST FLOW % | GAS BALLAST PRESSURE Torr / mbar | ULTIMATE PRESSURE MICRONS / mbar | NOISE LEVEL AT 0.1 TORR (0.13 mbar) dB(A) |
|-------|--|---|------|-------------------------------|----------------------------|-------------------------------------|-------------------------------------|--|
| KC-5 | 5 / 8.5 | 0.33 / 0.25 | 638 | 0.8 / 0.76 | 15 | 0.02 / 0.027 | 0.2 / 0.00027 | 75 |
| KC-8 | 8 / 13.6 | 1-Phase: 0.75 / 0.56 3-Phase: 0.5 / 0.37 | 1022 | 0.8 / 0.76 | 15 | 0.02 / 0.027 | 0.2 / 0.00027 | 78 |
| KC-15 | 15 / 25.5 | 1 / 0.75 | 572 | 3.0 / 2.84 | 15 | 0.02 / 0.027 | 0.2 / 0.00027 | 75 |

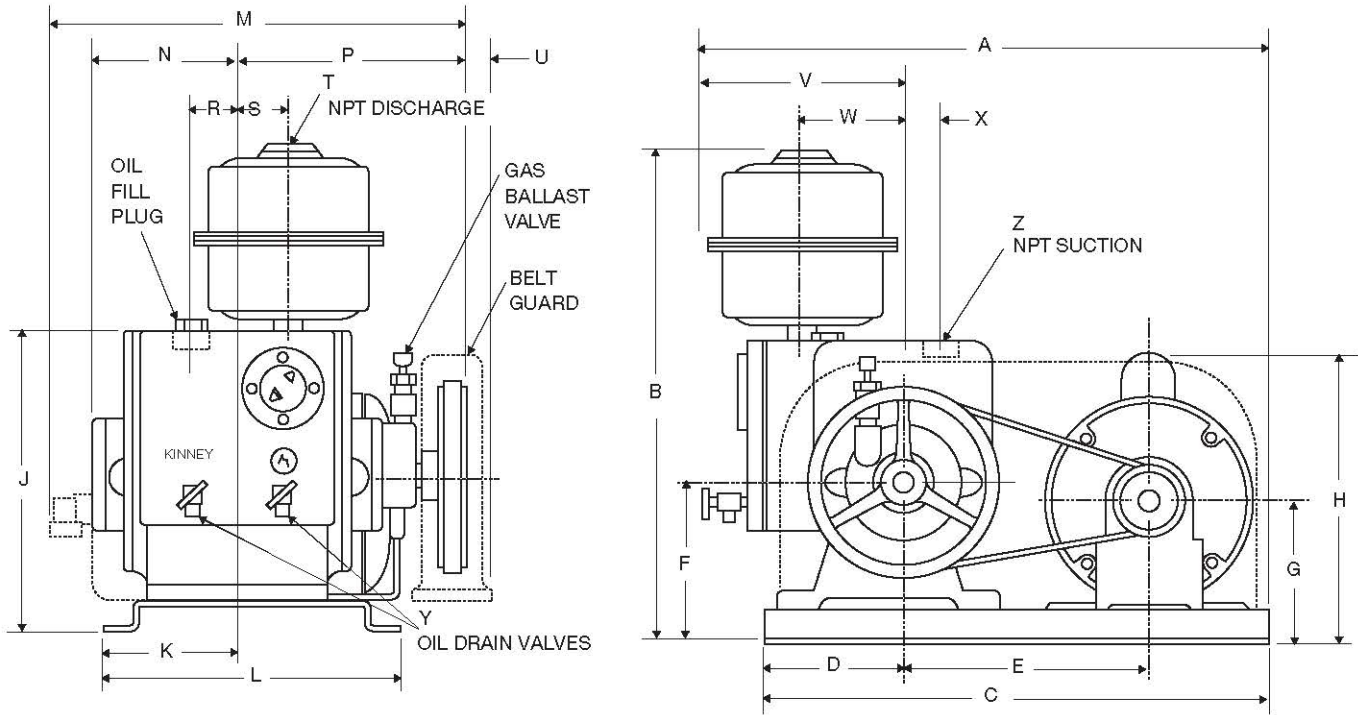
Typical Pumping Speed Curves



Dimensions

Values shown are approximate and should not be used for construction.
 Certified drawings are available through your local Kinney Sales Professional.

Models: KC-5, KC-8, KC-15



| in. mm | A | B | C | D | E | F | G | H | J | K | L |
|-----------|-------|-------|-------|------|------|------|------|---------|-------|------|-------|
| KC-5 | 18.00 | 17.88 | 16.50 | 4.57 | 8.00 | 5.06 | 4.50 | (9.88) | 9.69 | 4.38 | 9.75 |
| KC-8 | 457 | 454 | 419 | 116 | 203 | 129 | 114 | 251 | 246 | 111 | 248 |
| KC-15 | 20.25 | 24.31 | 17.00 | 4.00 | 9.00 | 6.00 | 5.50 | (10.00) | 12.81 | 8.00 | 15.75 |
| | 514 | 617 | 432 | 101 | 229 | 152 | 140 | 254 | 325 | 203 | 400 |

| in. mm | M | N | P | R | S | T | U | V | W | X | Z | Weight lbs. / kg |
|-----------|-------|------|-------|------|------|--------|------|------|------|------|------|---------------------|
| KC-5 | 14.13 | 4.38 | 7.50 | 1.50 | 1.75 | 3/4" | 1.00 | 7.13 | 3.13 | 1.19 | 1.00 | 115 / 52 |
| KC-8 | 359 | 111 | 191 | 38 | 44 | - | 25 | 181 | 80 | 30 | - | 120 / 54 |
| KC-15 | 17.94 | 7.25 | 10.69 | 3.00 | 3.50 | 1 1/2" | 0.56 | 7.25 | 3.75 | - | 2.00 | 210 / 95 |
| | 456 | 184 | 272 | 76 | 89 | - | 14 | 184 | 95 | - | - | |

CONTACT US

For more information, contact your
 Regional Sales Manager or call us at:

1-800-825-6937

Your Local Sales Professional:



Connect with us online:

www.nwflowtech.com
 info@nwflowtech.com

Northwest Flow Technologies | Engineering Services

W. Washington: (253) 740-0530 | E. Washington: (509) 949-3368

Idaho & Montana: (208) 360-3833 | Oregon: (503) 708-9609