

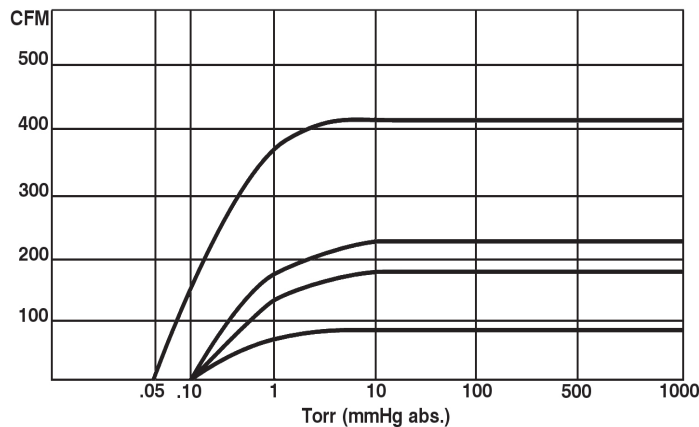
KDP

Models: KDP-150 KDP-330 KDP-400 KDP-800

Features

- No oil or water in contact with process
- No contact between operating components in the casing
- Simple, robust design can handle process by-products – liquids, condensate, and even small particles
- Full pumping speed from atmospheric pressure down to 1 Torr; ultimate pressure 0.1 Torr (.05 Torr on Model KDP-800)
- Short gas path through the pump for quick discharge
- Extended shaft for either V-belt or direct drive
- Quiet operation ≤ 80 dB(A)

Typical Pumping Speed Curves



Specifications

MODEL		KDP-150	KDP-330	KDP-400	KDP-800
Capacity (60 Hz, Direct Drive)	CFM / m ³ /h	88 / 150	194 / 330	235 / 400	459 / 780
(50 Hz, Direct Drive)	CFM / m ³ /h	71 / 120	159 / 270	194 / 330	388 / 660
Ultimate Pressure (60 Hz, Direct Drive)	Torr / mbar	0.1 / 0.13	0.1 / 0.13	0.1 / 0.13	0.05 / 0.067
Rotation Speed (Direct Drive)	60 Hz / 50 Hz	3500 / 2900	3500 / 2900	3500 / 2900	3500 / 2900
Motor	HP	7.5	15	20	30
Suction Flange (ANSI, 150# FF)	in. / mm	1.5 / 40	2 / 50	2.5 / 65	4 / 100
Discharge / Silencer Flange (ANSI, 150# FF)	in. / mm	1.5 / 40	1.5 / 40	2 / 50	2.5 / 65
Cooling Water	GPM / L/min	0.5 / 2.0	0.9 / 3.5	1.8 / 7	2.6 / 10
Noise Level	dB(A)	84	84	84	84
Gear Case Oil Capacity	Quarts / Liters	1.4 / 1.3	1.7 / 1.6	2.1 / 2.0	3.8 / 3.6
Weight (bare shaft pump)	lbs. / kg	485 / 220	700 / 320	890 / 403	1325 / 600



Materials of Construction

Casing:

Ductile iron, PFA coated

Rotors:

Ductile iron, PFA coated

Timing Gears:

Alloy steel, precision ground, helical type

SHAFT SEALS:

Drive End: Mechanical seal & lip seal

Drive Shaft: Mechanical seal

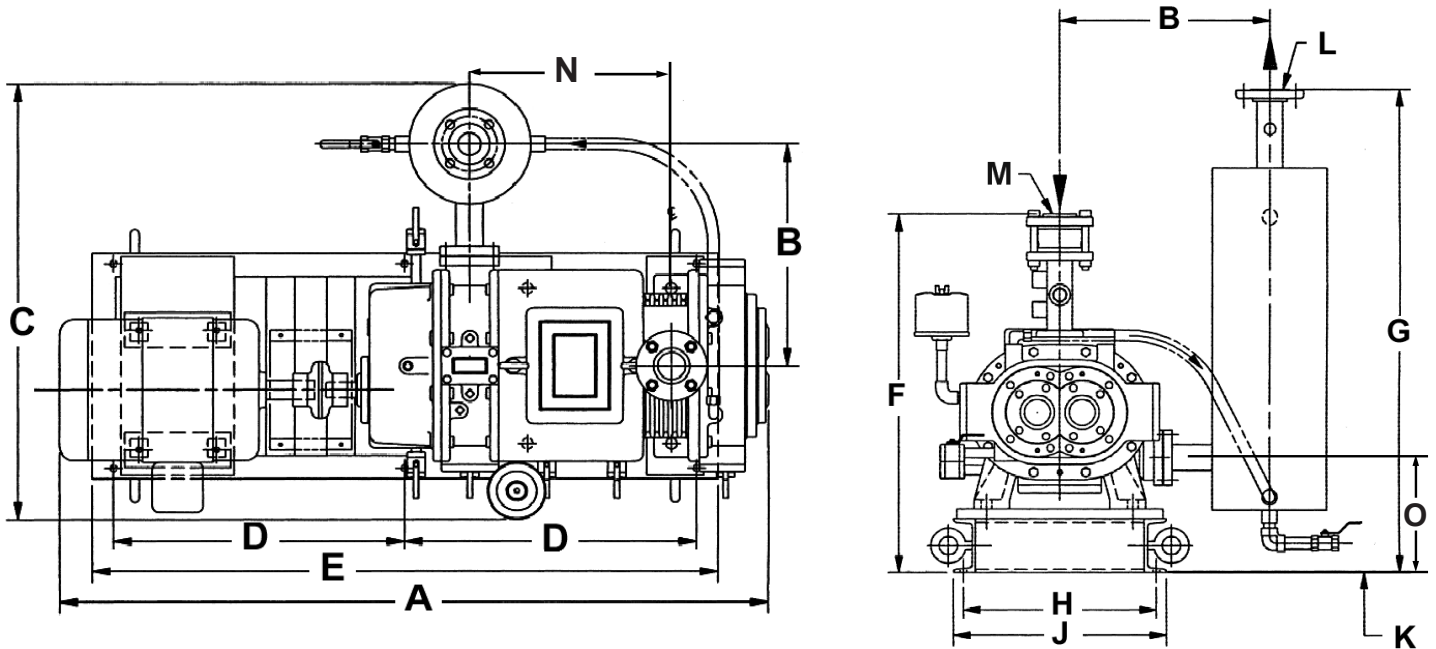
O-rings: Kalrez® compound 6375

Options: Viton® A-1009 o-rings

Kalrez® is a registered trademarks of E.I. duPont de Nemours and Company.

Dimensions

Values shown are approximate and should not be used for construction.
 Certified drawings are available through your local Kinney Sales Professional.



in. mm	A	B	C	D	E	F	G	H	J	K	L	M	N	O
KDP-150	49.88 1267	14.13 359	30.88 784	20.50 521	44.00 1118	26.88 682	36.13 918	14.50 368	16.00 406	2.19 60	1½" ANSI	1½" ANSI	14.13 359	8.75 222
KDP-330	59.88 1292	16.63 422	32.75 832	25.00 635	54.00 1372	29.00 737	36.38 924	16.50 419	18.00 457	2.38 60	2" ANSI	1½" ANSI	17.44 443	8.88 226
KDP-400	62.00 1575	17.25 438	34.75 883	25.00 635	56.00 1422	30.75 781	41.13 1045	18.50 470	20.00 508	3.25 63	2½" ANSI	2" ANSI	9.63 245	9. 359
KDP-800	70.13 1781	20.50 521	40.63 1032	27.75 705	61.50 1562	34.56 243	44.44 1129	20.50 521	22.00 559	3.38 86	4" ANSI	2½" ANSI	10.25 260	14.13 359

CONTACT US

For more information, contact your
 Regional Sales Manager or call us at:

1-800-825-6937

Your Local Sales Professional:



Connect with us online:

www.nwflowtech.com
info@nwflowtech.com

Northwest Flow Technologies | Engineering Services

W. Washington: (253) 740-0530 | E. Washington: (509) 949-3368

Idaho & Montana: (208) 360-3833 | Oregon: (503) 708-9609