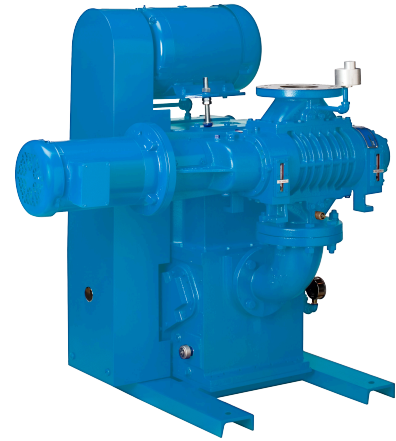


## Mechanical Booster Vacuum Pump Systems

### Models

CB2415    CB4015    CB4030

Kinney® Compact Booster Systems combine the features of Kinney KT™ Pumps and Integral Drive Boosters into a space efficient package capable of continuous high pumping capacity down to 10 microns. They are suitable for use in vacuum furnace, vacuum coating, sputtering, space simulation, and other applications.



### Features

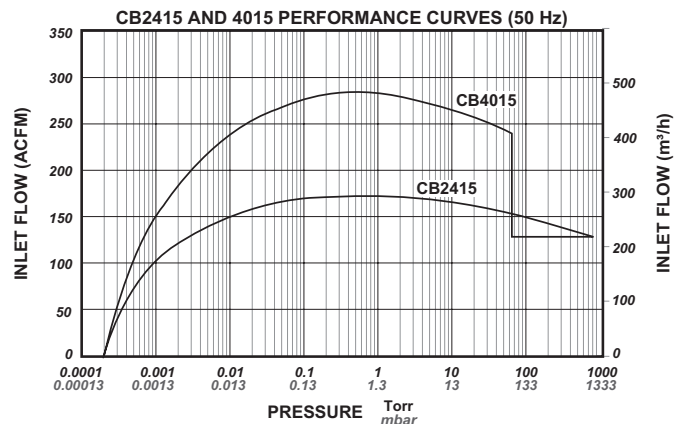
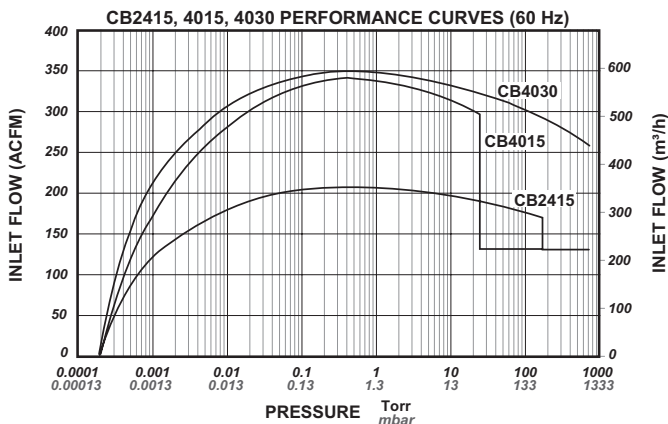
- High pumping capacity
- Compact envelope
- Quiet, vibration-free
- Water-cooled for low operating temperature
- Tough, durable pumps

### Specifications

SYSTEM MODEL	Hz	CIP <sup>1</sup> (TORR)	MAXIMUM COP <sup>2</sup> (TORR)	BOOSTER MODEL	DISPLACEMENT CFM / m <sup>3</sup> /h	HP/kW	PUMP MODEL	DISPLACEMENT CFM / m <sup>3</sup> /h	HP/kW
CB2415	60	180	*	KMBD-240C	240 / 400	3 / 2.2	KT-150	150 / 250	7.5 / 5.6
	50	760	*						
CB4015	60	25	25	KMBD-400C	400 / 680	3 / 2.2	KT-150	150 / 250	7.5 / 5.6
	50	50	50						
CB4030	60	760	760	KMBD-400C	400 / 680	5 / 3.7	KT-300	300 / 500	15 / 11
	50	760	760						

<sup>1</sup> CIP = Cut-in Pressure    <sup>2</sup> COP = Continuous Operating Pressure    \*Limited by motor HP

### Typical Pumping Speed Curves

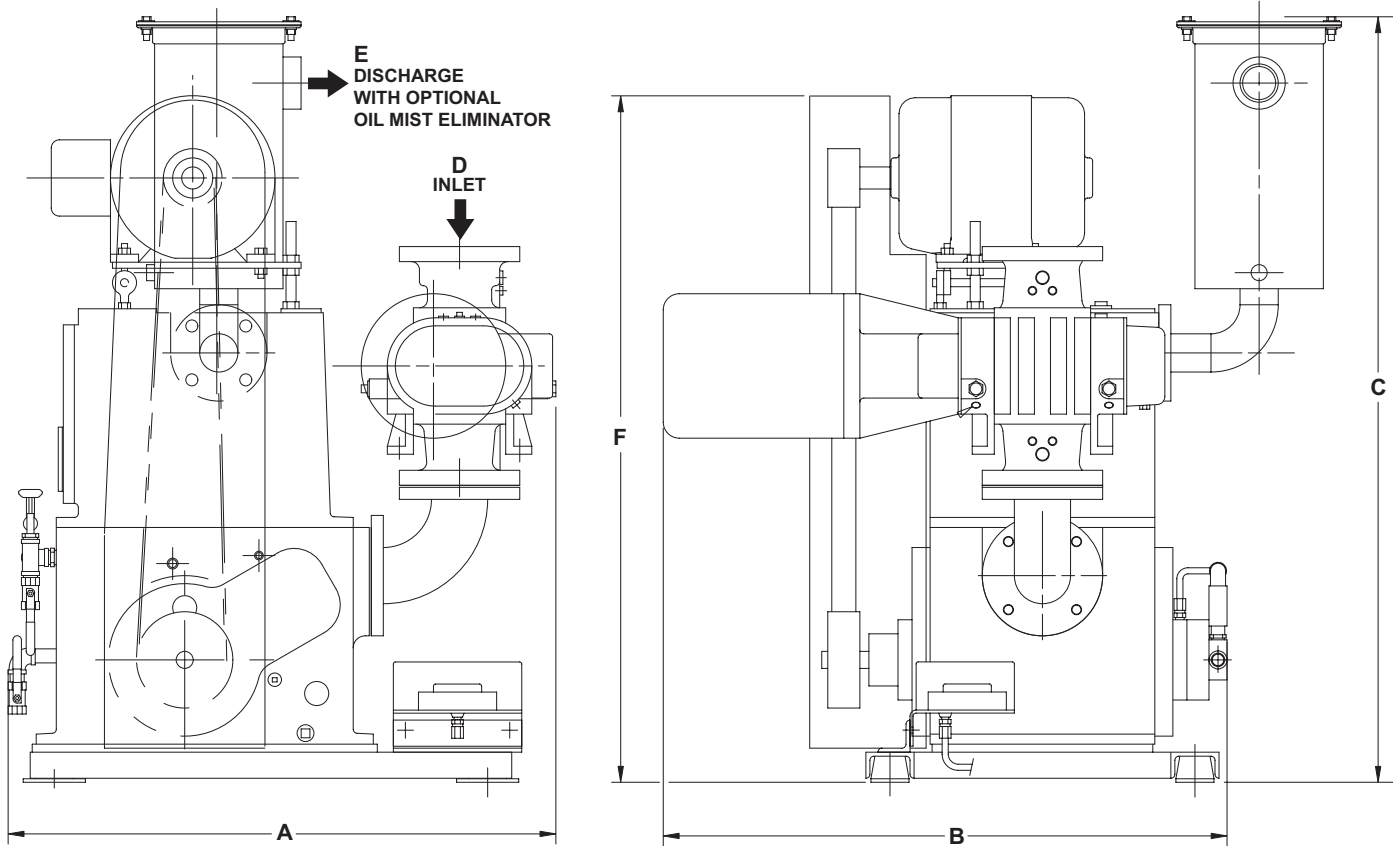


## Dimensions

Values shown are approximate and should not be used for construction.

Certified drawings are available through your local Tuthill Vacuum & Blower Systems Sales Professional.

## Models CB2415, CB4015, CB4030



MODEL	A	B	C	D INLET	E DISCHARGE	F	G
CB2415	36 / <b>914</b>	35 / <b>889</b>	49 / <b>1245</b>	3" FLG	2" NPT	44 / <b>1118</b>	42 / <b>1067</b>
CB4015	36 / <b>914</b>	39 / <b>991</b>	48 / <b>1219</b>	4" FLG	2" NPT	44 / <b>1118</b>	48 / <b>1279</b>
CB4030	39 / <b>991</b>	42 / <b>1067</b>	57 / <b>1448</b>	4" FLG	3" NPT	52 / <b>1321</b>	50 / <b>1270</b>

### Standard Configuration

- Integral Drive Booster
- Kinney® KT™ Pump
- Dual Voltage 3/60/230-460V TEFC Motors
- Pressure Switch
- Overtemperature Switch
- Steel Base with VibraMounts

### Options

- Oil Mist Eliminator
- Suction Flexible Connector
- Cooling Water Solenoid Valve
- Motor Controls
- Air Cooling Systems

Your Local Tuthill Vacuum Blower Systems Sales Professional:



Western Washington: 253-740-0530  
 Eastern Washington: 509-949-3368  
 Idaho & Montana: 208-360-3833  
 Oregon: 503-708-9609  
[info@nwflowtech.com](mailto:info@nwflowtech.com)



Tuthill Vacuum & Blower Systems  
 4840 West Kearney Street  
 Springfield, Missouri USA 65803-8702  
 o 417.865.8715 800.825.6937 f 417.865.2950  
[tuthillvacuumblower.com](http://tuthillvacuumblower.com)

