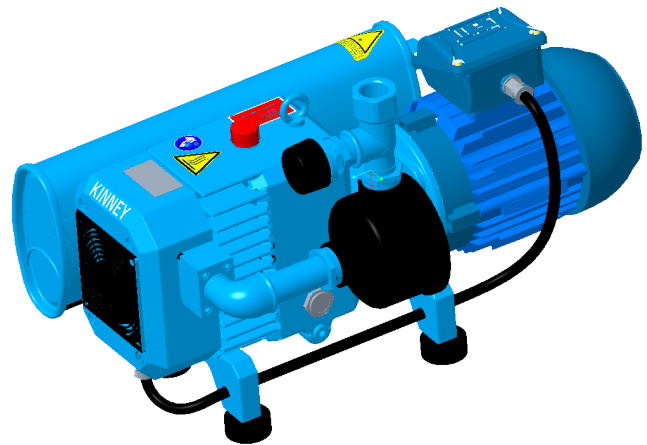


Models

KVC-60

Features

- High efficiency, dry, and contact-less oil-free compression claw vacuum pump
- Equipped with an IEC high efficiency motor
- Ultimate vacuum for continuous operations is 75 Torr
- Air-cooled and low maintenance
- Suitable for multiple applications with air or inert gases
- Simple and fast installation

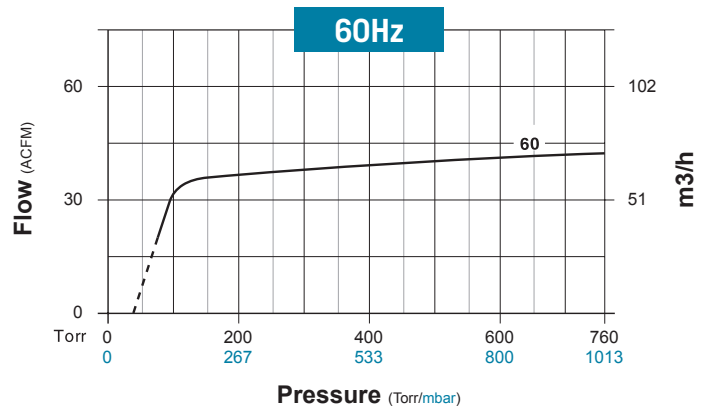
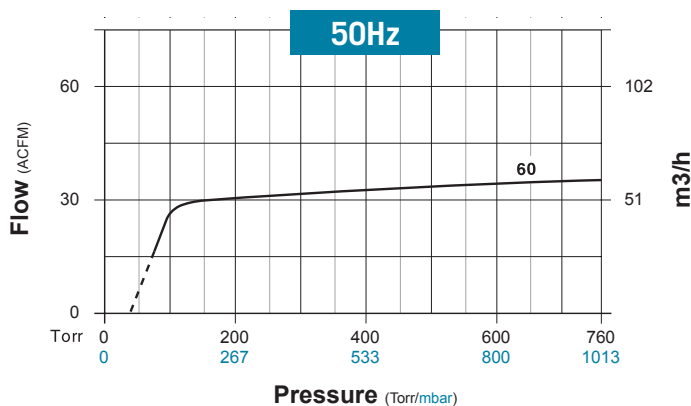


Specifications

Model	Nominal Displacement	Ultimate Pressure	Motor	Rotation Speed	Oil Capacity	Pump Weight <i>Includes Motor</i>	Noise Level Max
	CFM / m3/hr	Torr / mbar	60Hz HP / 50Hz kW	60Hz / 50Hz	Gal. / Liters	Lbs. / kg	dB(A)
KVC-60	50Hz 35.3 / 60 60Hz 42.4 / 72	75 / 100	2 / 1.1	3450 / 2850	.1 / .4	136 / 62	80

Typical Pumping Speed Curves

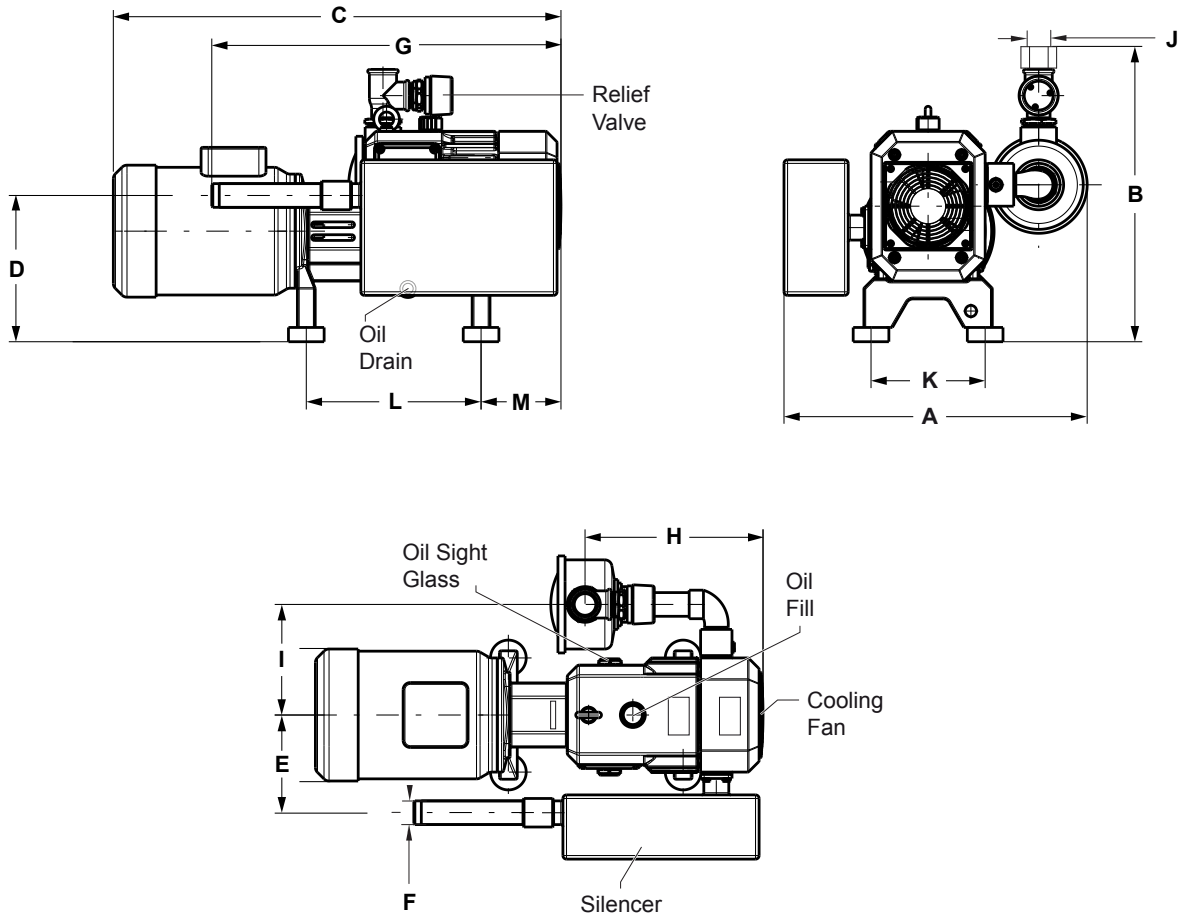
Note: Do not operate the pump in the vacuum level shown by the dotted line.



Dimensions

Values shown are approximate and should not be used for construction.
 Certified drawings are available through your local Kinney Sales Professional.

Models KVC-60



Model	A	B	C	D	E	F - EXHAUST	G	H	I	J - INLET	K	L	M
KVC-60	17	16.3	24.7	8.07	6	1" MBSP	19.17	9.92	6.26	1" FNPT	6.3	9.65	4.41
in. / mm	431	415	627	205	153		487	252	159		160	245	112

CONTACT US

For more information, contact your
 Regional Sales Manager or call us at:

1-800-825-6937

Your Local Sales Professional:



Connect with us online:

www.nwflowtech.com
info@nwflowtech.com

Northwest Flow Technologies | Engineering Services

W. Washington: (253) 740-0530 | E. Washington: (509) 949-3368

Idaho & Montana: (208) 360-3833 | Oregon: (503) 708-9609