

Qx

- High pressure, low noise industrial blowers
- Bi-directional rotation/horizontal and vertical airflow
- High efficiency at high pressure and vacuum
- 18 psi or 17" hg dry vacuum

| | |
|----------------------------|--------------|
| Flow | Speed |
| 3200: To 425 cfm at 5 psi | To 4800 rpm |
| 4600: To 915 cfm at 5 psi | To 4000 rpm |
| 6000: To 2030 cfm at 5 psi | To 3200 rpm |

Helical Gearing

Qx blowers utilize precision helical gears, keyed to the rotor shafts. Helical gears are quieter reducing mechanical noise.

Stronger Bearings

All Qx blowers include double ball bearings on the timing gear end. For additional strength single roller bearings are used on the drive shaft end of the machine. Featuring the largest bearings available, Qx blowers have L10 bearing life of up to 200,000 hours.

Rotors with Integral Shafts

Tri-lobe rotor offers reduced pulsation and lower noise levels. Shafts are integral to the rotors, which prevents loosening over time.

Performance Tables -

Pressure (14.70 PSIA and 70° F Inlet)

In conjunction with our program of continuous testing and design upgrading, all specifications are subject to change without notice. All data are

| BLOWER MODEL | SPEED (RPM) | 8 PSIG | | 10 PSIG | | 12 PSIG | | 15 PSIG | | 18 PSIG | | 10 in Hg | | 12 in Hg | | 14 in Hg | | 16 in Hg | |
|--------------|-------------|--------|------|---------|-------|---------|-------|---------|-------|---------|-------|----------|------|----------|------|----------|------|----------|-------|
| | | CFM | BHP | CFM | BHP | CFM | BHP | CFM | BHP | CFM | BHP | CFM | BHP | CFM | BHP | CFM | BHP | CFM | BHP |
| 3203 | 1150 | 17 | 2.2 | 37 | 3.9 | 34 | 4.5 | | | | | 42 | 2.4 | 38 | 2.7 | | | | |
| | 1750 | 41 | 3.3 | | | | | | | | | | | | | | | | |
| | 2950 | 88 | 5.6 | 85 | 6.6 | 82 | 7.7 | 78 | 9.2 | 74 | 10.7 | 90 | 4 | 85 | 4.5 | 81 | 5 | | |
| | 3600 | 114 | 6.9 | 111 | 8.3 | 108 | 9.4 | 104 | 11.3 | 100 | 13.1 | 116 | 4.9 | 112 | 5.5 | 107 | 6.1 | 102 | 6.7 |
| | 4800 | 162 | 9.3 | 158 | 10.9 | 155 | 12.6 | 151 | 15.1 | 147 | 17.6 | 164 | 6.5 | 160 | 7.3 | 155 | 8.12 | 150 | 8.9 |
| 3208 | 1150 | 45 | 4.6 | 36 | 5.6 | | | | | | | 47 | 3 | | | | | | |
| | 1750 | 105 | 7.0 | 96 | 8.5 | 89 | 10.1 | | | | | 108 | 4.6 | 97 | 5.4 | 86 | 6.1 | | |
| | 2950 | 225 | 11.8 | 217 | 14.4 | 209 | 17.0 | 199 | 20.8 | 190 | 24.7 | 228 | 7.8 | 217 | 9.1 | 206 | 10.3 | 193 | 11.6 |
| | 3600 | 290 | 14.5 | 282 | 17.6 | 274 | 20.8 | 264 | 25.4 | 255 | 30.2 | 293 | 9.5 | 283 | 11.1 | 271 | 12.6 | 258 | 14.2 |
| | 4800 | 410 | 19.5 | 402 | 23.7 | 394 | 27.9 | 384 | 34.2 | 375 | 40.4 | 413 | 12.7 | 403 | 14.8 | 391 | 16.8 | 379 | 18.9 |
| 4606 | 1150 | 118 | 6.7 | 111 | 8.1 | 106 | 9.6 | 98 | 11.8 | | | 120 | 4.4 | 112 | 5.1 | 103 | 5.8 | | |
| | 1750 | 206 | 10.2 | 200 | 12.4 | 194 | 14.7 | 187 | 18.0 | | | 208 | 6.6 | 200 | 7.7 | 192 | 8.9 | 182 | 10 |
| | 2950 | 383 | 17.3 | 377 | 21.1 | 372 | 24.9 | 364 | 30.6 | 357 | 36.3 | 385 | 11.2 | 378 | 13.1 | 369 | 14.9 | 360 | 16.8 |
| | 3600 | 479 | 21.2 | 473 | 25.9 | 467 | 30.5 | 460 | 37.5 | 453 | 44.4 | 481 | 13.7 | 474 | 15.9 | 465 | 18.2 | 456 | 20.5 |
| | 4000 | 538 | 23.7 | 532 | 28.9 | 527 | 34.0 | 519 | 41.7 | 512 | 49.5 | 540 | 15.2 | 533 | 17.7 | 524 | 20.2 | 515 | 22.8 |
| 4610 | 1150 | 192 | 10.6 | 181 | 13.1 | 171 | 15.5 | 158 | 19.2 | | | 195 | 6.8 | 182 | 8 | 167 | 9.2 | | |
| | 1750 | 339 | 16.2 | 329 | 19.9 | 319 | 23.7 | 306 | 29.3 | | | 343 | 10.3 | 329 | 12.2 | 315 | 14 | 298 | 15.9 |
| | 2950 | 635 | 27.4 | 624 | 33.7 | 614 | 40.0 | 601 | 49.5 | 589 | 59.0 | 638 | 17.4 | 625 | 20.5 | 610 | 23.6 | 593 | 26.7 |
| | 3600 | 795 | 33.6 | 784 | 41.3 | 774 | 49.0 | 761 | 60.6 | 749 | 72.2 | 798 | 21.2 | 785 | 25 | 770 | 28.8 | 753 | 32.6 |
| | 4000 | 893 | 37.4 | 882 | 46.0 | 872 | 54.6 | 859 | 67.4 | 847 | 80.3 | 897 | 23.6 | 883 | 27.8 | 868 | 32 | 852 | 36.24 |
| 6009 | 1150 | 314 | 15.7 | 302 | 19.3 | 291 | 22.9 | 276 | 28.4 | | | 318 | 10.1 | 303 | 11.8 | 286 | 13.6 | | |
| | 1750 | 531 | 23.9 | 519 | 29.4 | 508 | 34.9 | 493 | 43.2 | 480 | 51.5 | 535 | 15.3 | 520 | 18.0 | 503 | 20.7 | 484 | 23.5 |
| | 2950 | 965 | 40.4 | 953 | 49.7 | 942 | 59.0 | 927 | 73.0 | 914 | 87.0 | 969 | 25.8 | 954 | 30.4 | 937 | 35.0 | 919 | 39.5 |
| | 3200 | 1055 | 49.5 | 1043 | 60.8 | 1032 | 72.2 | 1018 | 89.2 | 1004 | 106.3 | 1059 | 31.5 | 1044 | 37.1 | 1028 | 42.7 | 1009 | 48.2 |
| | | | | | | | | | | | | | | | | | | | |
| 6015 | 1150 | 523 | 25.4 | 503 | 31.4 | 485 | 37.5 | 460 | 46.6 | | | 530 | 16.0 | 504 | 19.0 | 477 | 21.9 | | |
| | 1750 | 885 | 38.8 | 865 | 48.0 | 846 | 57.2 | 822 | 71.0 | 799 | 84.8 | 891 | 24.4 | 866 | 28.9 | 838 | 33.4 | 807 | 37.9 |
| | 2950 | 1608 | 66.1 | 1588 | 81.6 | 1570 | 97.1 | 1545 | 120.4 | 1523 | 143.7 | 1615 | 41.1 | 1590 | 48.7 | 1562 | 56.3 | 1531 | 63.9 |
| | 3200 | 1759 | 81.4 | 1739 | 100.3 | 1721 | 119.3 | 1696 | 147.7 | 1674 | 176.1 | 1766 | 50.1 | 1740 | 59.4 | 1713 | 68.7 | 1682 | 78.0 |
| | | | | | | | | | | | | | | | | | | | |



Lubrication

Qx blowers have oil lubrication on both ends with easy to view sight glasses allowing quick maintenance.

Seals

Qx blowers are fitted as standard with piston ring labyrinth process/oil seals. Piston ring seals provide high efficiency, long life and reliability.

The oil chamber is vented to atmosphere providing oil-free air.

Material Specifications:

Housing: Cast iron

End Plates: Cast iron

End Cover: Cast iron

Rotors: Ductile iron

Shafts: Ductile iron, cast integrally with rotors

Bearings: GE - Double row angular contact

FE - Single row cylindrical

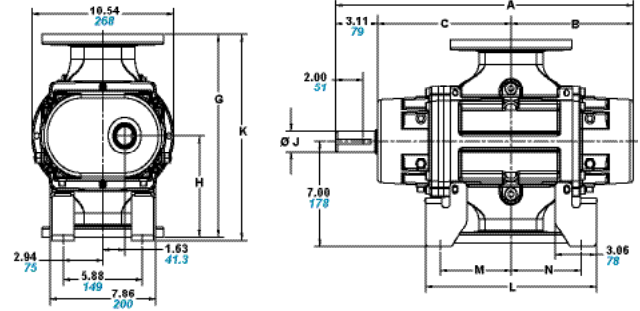
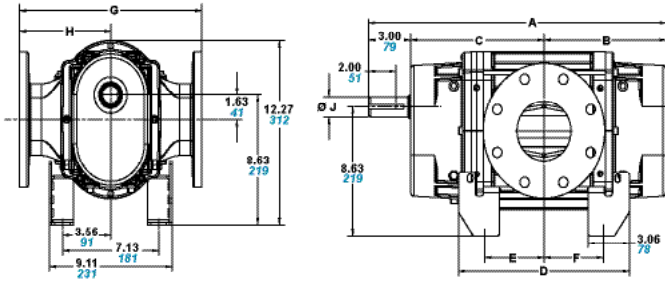
Gears: Heat treated alloy steel, helical cut

Seals: Piston ring lip

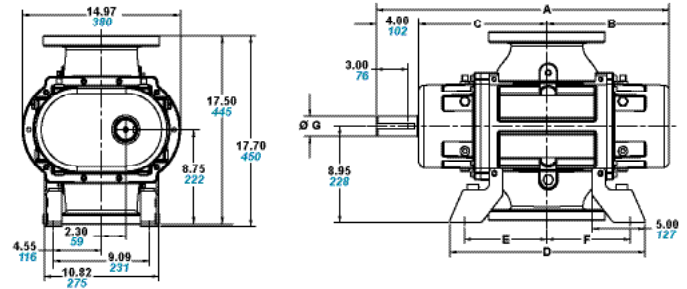
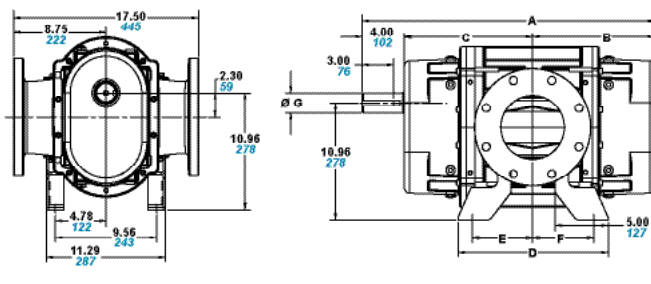
Dimensions: All dimensions are shown in inches and millimeters. Values are approximate and should not be used for construction. Certified prints are available through your local Tuthill Vacuum Blower Systems Sales Professional.

Horizontal Flow

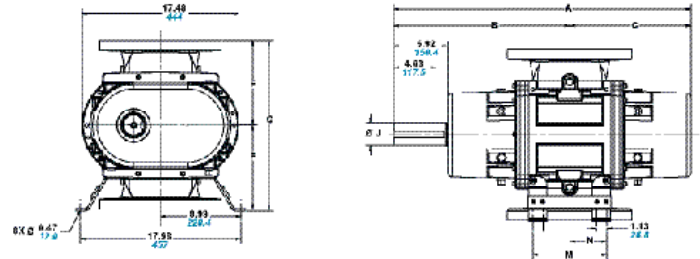
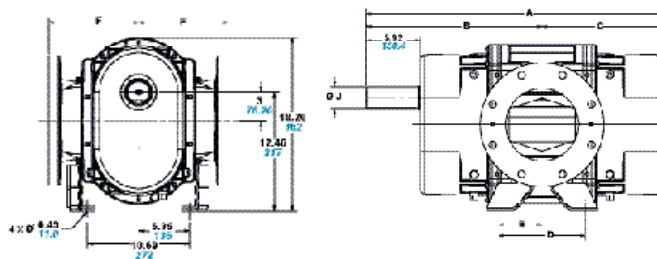
Vertical Flow



| MODEL | A | B | C | D | E | F | G | H | J | K | L | M | N | KEYWAY | FLANGE | WEIGHT* LB / KG | |
|-------|--------------|-------------|-------------|--------------|-------------|-------------|--------------|-------------|------------|--------------|--------------|-------------|-------------|--------------|--------|--------------------|-----------|
| 3203 | 17.12 435 | 6.59 167 | 7.42 188 | 7.75 197 | 1.95 50 | 1.94 49 | 11.54 293 | 5.77 146 | 1.38 35 | 12.77 324 | 7.73 197 | 2.75 70 | 2.73 70 | .313 7.94 | SQUARE | ANSI 2", CLASS 150 | 130 / 59 |
| 3208 | 22.06 560 | 9.06 230 | 9.89 251 | 12.69 322 | 4.42 112 | 4.40 112 | 13.54 344 | 6.77 172 | 1.38 35 | 13.77 350 | 12.67 322 | 5.21 132 | 5.20 132 | .313 7.94 | SQUARE | ANSI 4", CLASS 150 | 225 / 102 |



| MODEL | A | B | C | D | E | F | G | KEYWAY | FLANGE | WEIGHT* LB / KG | |
|-------|--------------|--------------|--------------|--------------|-------------|-------------|------------|---------------|--------|--------------------|-----------|
| 4606 | 23.70 602 | 9.56 243 | 10.13 258 | 14.46 368 | 5.81 148 | 5.90 150 | 1.88 48 | .500 12.70 | SQUARE | ANSI 4", CLASS 150 | 420 / 190 |
| 4610 | 27.70 704 | 11.56 294 | 12.13 308 | 18.46 469 | 7.81 199 | 7.90 201 | 1.88 48 | .500 12.70 | SQUARE | ANSI 6", CLASS 150 | 475 / 215 |



| MODEL | A | B | C | D | E | F | G | J | M | N | KEYWAY | FLANGE | WEIGHT* LB / KG | |
|-------|--------------|--------------|--------------|--------------|-------------|-------------|--------------|------------|--------------|-------------|---------------|--------|--------------------|-----------|
| 6009 | 32.51 826 | 19.18 487 | 13.32 338 | 9.47 241 | 4.73 120 | 9.38 238 | 18.94 481 | 2.38 60 | 8.10 206 | 4.05 103 | .625 15.88 | SQUARE | ANSI 8", CLASS 150 | 680 / 308 |
| 6015 | 38.51 978 | 22.18 563 | 16.32 415 | 15.47 393 | 7.74 197 | 9.38 238 | 18.94 481 | 2.38 60 | 14.10 358 | 7.05 179 | .625 15.88 | SQUARE | ANSI 8", CLASS 150 | 850 / 386 |

*Approximate shipping weight.

Your Local Tuthill Vacuum Blower Systems Sales Professional:



**Northwest
FLOW TECHNOLOGIES**
 Western Washington: 253-740-0530
 Eastern Washington: 509-949-3368
 Idaho & Montana: 208-360-3833
 Oregon: 503-708-9609
info@nwflowtech.com



Tuthill Vacuum & Blower Systems
 4840 West Kearney Street
 Springfield, Missouri USA 65803-8702
 o 417.865.8715 800.825.6937 f 417.865.2950
tuthillvacuumblower.com

