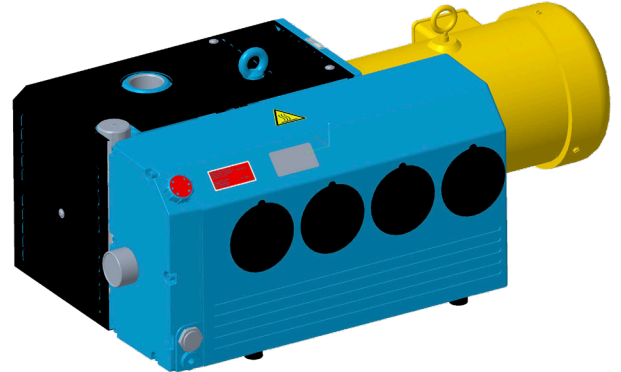


Models

KVO-50 KVO-75 KVO-100 KVO-150

Features

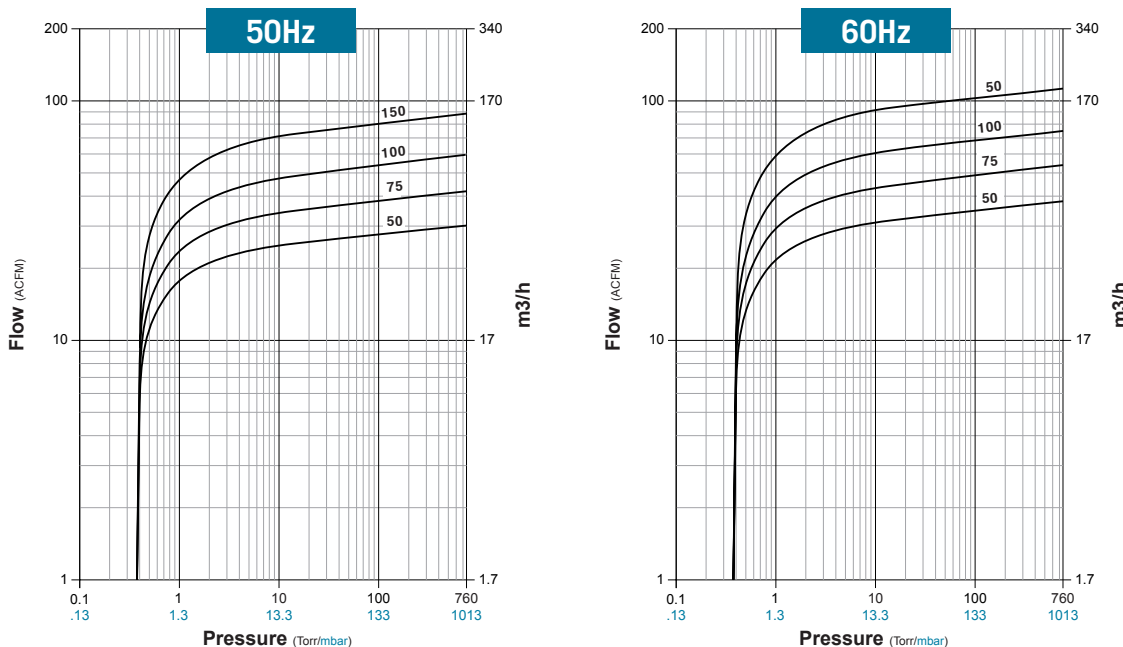
- Rugged and easy to service
- High efficiency
- Quiet, small footprint
- Equipped with NEMA Premium motor
- Easy maintenance and less downtime
- Air-cooled
- Ultimate vacuum for continuous operation of 0.375 Torr (with gas ballast), 0.075 without gas ballast
- Standard gas ballast
- Multistage exhaust filtration system



Specifications

Model	Nominal Displacement	Ultimate Pressure Without Gas Ballast	Ultimate Pressure With Gas Ballast	Motor	Rotation Speed	Oil Capacity	Pump Weight Includes Motor	Noise Level Max
	CFM / m ³ /hr	Torr / mbar	Torr / mbar	60Hz HP / 50Hz kW	60Hz / 50Hz	Gal. / Liters	Lbs. / kg	dB(A)
KVO-50	50Hz 29.4 / 50 60Hz 35.3 / 60	0.075 / 0.1	0.375 / 0.5	2 / 1.5	1740 / 1450	.75 / 2.8	145 / 66	67
KVO-75	50Hz 41.2 / 70 60Hz 49.4 / 84	0.075 / 0.1	0.375 / 0.5	3 / 2.2	1740 / 1450	.75 / 2.8	191 / 87	68
KVO-100	50Hz 58.9 / 100 60Hz 70.6 / 120	0.075 / 0.1	0.375 / 0.5	5 / 3.7	1740 / 1450	.75 / 2.8	256 / 116	69
KVO-150	50Hz 88.3 / 150 60Hz 106 / 180	0.075 / 0.1	0.375 / 0.5	5 / 3.7	1740 / 1450	.875 / 3.3	254 / 115	71

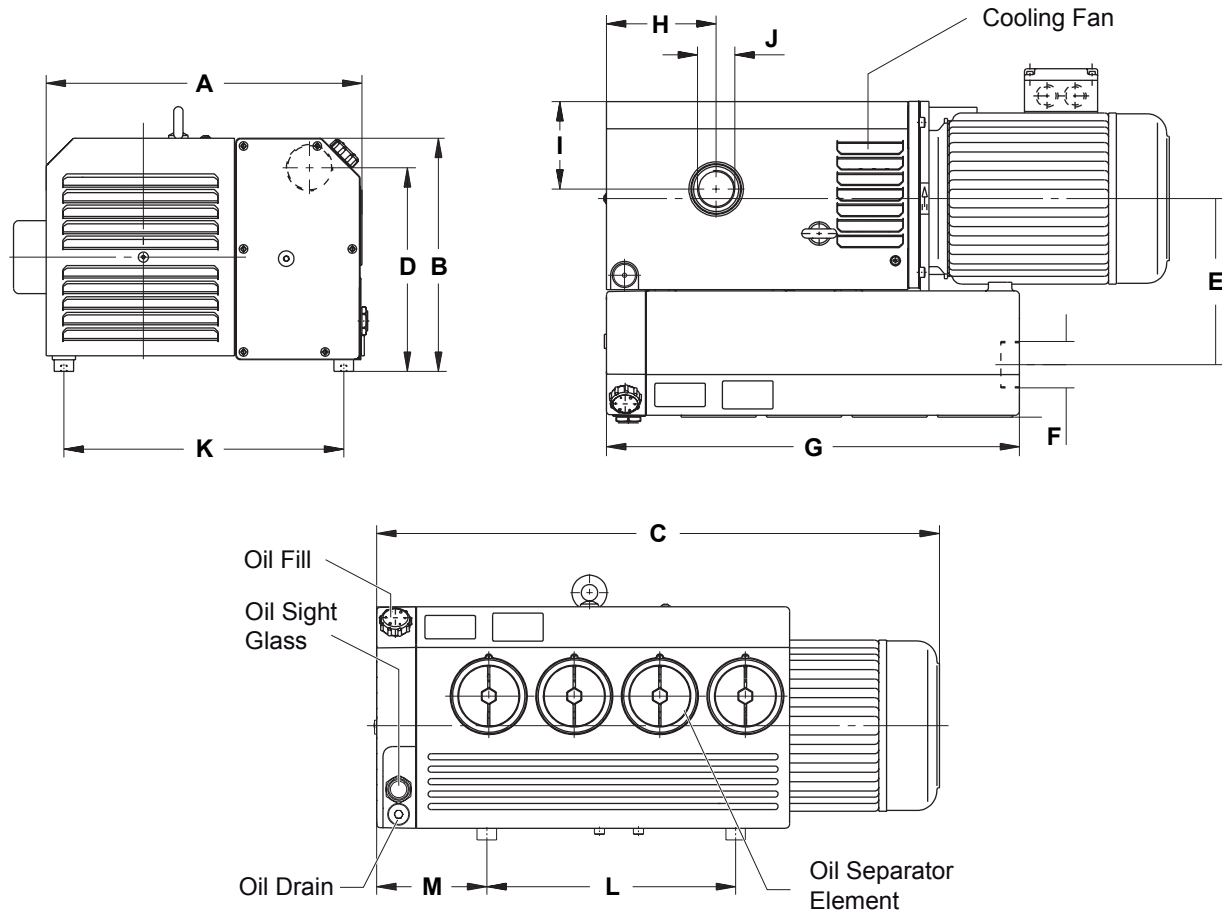
Typical Pumping Speed Curves NOTE: Curves represented with gas ballast open.



Dimensions

Values shown are approximate and should not be used for construction.
 Certified drawings are available through your local Kinney Sales Professional.

Models KVO-50, KVO-75, KVO-100, KVO-150



Model	A	B	C	D	E	F - EXHAUST	G	H	I	J - INLET	K	L	M
KVO-50 in. / mm	14.48 342	10.55 268	26.04 661	9.53 242	6.56 167	1 ¼" FBSP	21.08 536	5.83 148	3.56 91	1 ¼" FNPT	11.32 288	12.6 320	5.47 139
KVO-75 in. / mm	14.48 342	10.55 268	29.03 737	9.53 242	6.56 167	1 ¼" FBSP	21.08 536	5.83 148	3.56 91	1 ¼" FNPT	11.32 288	12.6 320	5.47 139
KVO-100 in. / mm	16.23 416	11.73 298	32.93 837	10.2 259	8.43 214	2" FBSP	22.2 564	6.91 176	4.43 113	1 ½" FNPT	14.17 360	12.6 320	6.90 176
KVO-150 in. / mm	16.23 416	11.73 298	32.93 837	10.2 259	8.43 214	2" FBSP	22.2 564	6.91 176	4.43 113	1 ½" FNPT	14.17 360	12.6 320	6.90 176

CONTACT US

For more information, contact your
 Regional Sales Manager or call us at:

1-800-825-6937

Your Local Sales Professional:



Connect with us online:

www.nwflowtech.com
info@nwflowtech.com

Northwest Flow Technologies | Engineering Services

W. Washington: (253) 740-0530 | E. Washington: (509) 949-3368

Idaho & Montana: (208) 360-3833 | Oregon: (503) 708-9609