

PneuPak

Based on the dependable CP Series rotary positive blowers, PneuPak rotary blower packages are a dependable and economical low pressure (up to 15 PSIG or 16" Hg vacuum) air source for many industrial and municipal applications such as pneumatic conveying of bulk powder or seed, fluidization/agitation of bulk powders, wastewater aeration, milking of dairy cattle and motive force for vacuum exhausting and cleaning systems.

In addition to dependability and economy, PneuPak rotary blower packages offer many distinct advantages:

Maintenance Friendly

Designed for easy access to vital areas for maintenance, PneuPak provides easy access to grease fittings and the oil reservoir.

Factory Built and Factory Warranted

PneuPak compact rotary blower packages are built in the Tuthill Vacuum & Blower Systems manufacturing facility under our ISO 9001 registered quality assurance system to assure you that your PneuPak is of the highest quality. All PneuPak rotary blower packages are covered by a factory warranty of 18 months after installation, not to exceed 24 months after shipment.

Mounting Base with Integral Silencer

PneuPak utilizes an integrated silencer/base to provide a wide variety of blower-motor combinations.

Multiple Configurations

Whatever your air handling needs, there is a PneuPak available for your application. Automated configuration optimizes your PneuPak to afford you the best value for your investment.

Accessory Kits

Available for your PneuPak, accessory kits provide you the ability to customize your PneuPak for your particular needs. Available accessory kits include:

- Pressure or vacuum relief valve kit with fittings required for installation
- Instrumentation kit including inlet filter restriction indicator and 0-15 PSIG discharge pressure gauge
- NEMA 4/12 control panel for wall mounting including:
 - Powder coated and gasketed steel enclosure
 - Circuit breaker disconnect with through-the-door operator
 - Control circuit transformer with fused windings
 - Magnetic motor starter with overloads and manual reset
 - Run light
 - On-Off-Auto selector switch



Quality Features

PneuPak rotary blower packages include the following quality features:

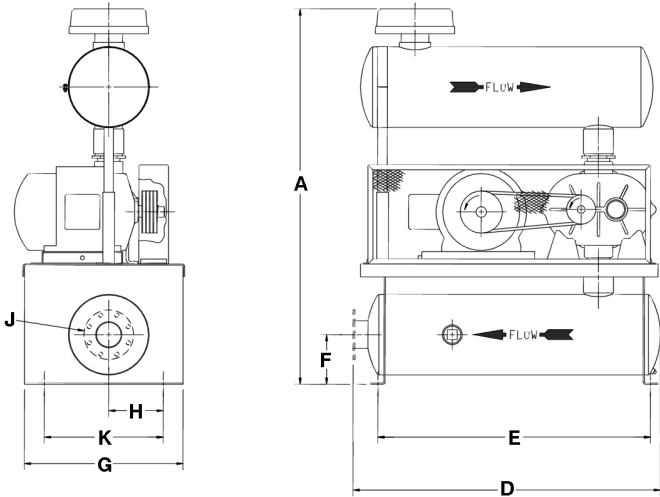
- CP Series rotary blower that includes features normally found only on premium design blowers such as:
 - Helical timing gears for quiet operation
 - Double row ball bearings on gear end of all models increases overall design bearing life by up to 50% versus other makes
 - Rotors with integrally cast shafts that allow larger shaft diameters and greater strength as compared to the competition
 - Every CP Series blower is factory tested to assure of the highest quality. While other manufacturers only perform sample testing, Tuthill Vacuum & Blower Systems goes the distance to make sure that your blower meets our rigid ISO 9001 registered quality standards.
- TEFC motor standard with 1.15 service factor
- Welded steel motor slide base
- Matched V-belt drive with 1.4 service factor
- OSHA belt guard with flow-through ventilation keeps belts running cool
- Integral mounting base with discharge silencer
- Low pressure drop inlet filter
- Easy and convenient maintenance
- Suitable for indoor or outdoor installation
- Shipped completely assembled for convenient installation*

* Height consideration may require partial disassembly for shipment

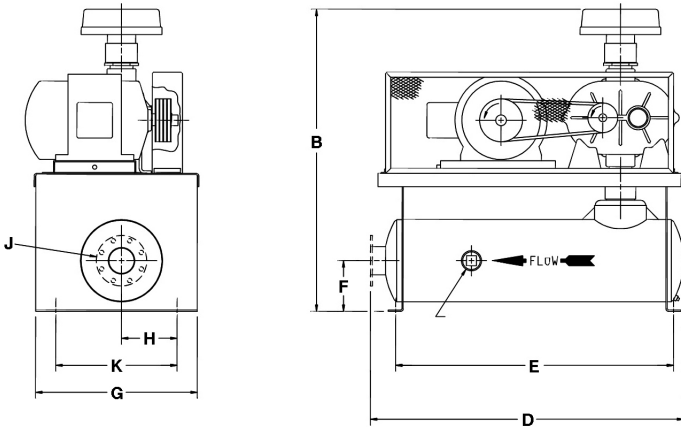
Dimensions

Values shown are approximate and should not be used for construction.

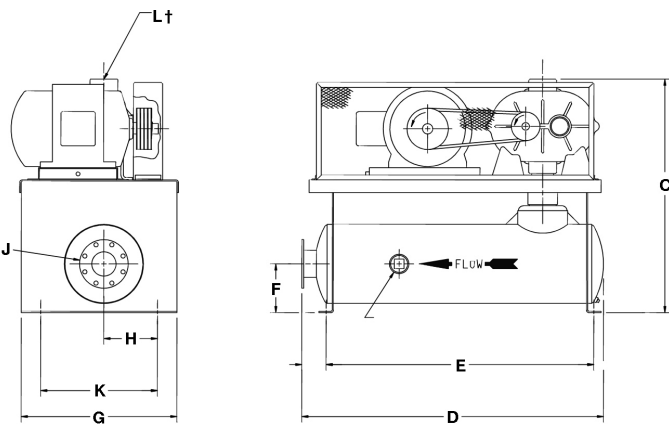
Certified drawings are available through your local Tuthill Vacuum & Blower Systems Sales Professional.



PneuPak "A" Package with inlet filter/silencer, inlet silencer and discharge silencer



PneuPak "B" Package with inlet filter/silencer and discharge silencer



PneuPak "C" Package with discharge silencer

Dimension Table

All dimensions are shown in inches

PneuPak Size	A*	B*	C*	D	E	F	G	H	J	K
13-20	45.13	35	24.75	30	25	5	19	4.50	2" NPT	12
33-20	49.13	37	26.75							
13-25	49.44	37.63	27.75	31	25.50	6	26	6	2½" NPT	18
33-25	53.44	39.63	29.75							
13-30	55.69	43.94	32.19	49.50	44	7	27	7.50	3" NPT	18
33-30	61.38	48.19	36.19							
13-40	71.13	52.94	41.94	50.38	44	8	30.50	8.56	4" NPT	20.50
33-40	75.75	55.94	44.94							
13-50	75.69	56.69	44.94	62	55	10	32	11	5" FLG	24
33-50	81.19	59.69	47.94							
13-60	84.44	57.94	48	69	62	12	33	12.50	6" FLG	24
33-60	91.44	60.94	51							
13-80	101.50	69	51.88	89	65.75	15	42	12	8" FLG	24
33-80	116.25	81.75	64.63							

* "A", "B" and "C" height dimensions shown are "not to exceed" values. Actual height may be lower, depending on blower model incorporated in your package. Certified prints are available from your local Tuthill Vacuum & Blower Systems Sales Professional.

† "L" dimension is blower inlet connection size. Please refer to COMPETITOR PLUS specification sheet for applicable blower inlet connection size.

PneuPak Sizes Available for Each Blower

Blowers that can be mounted in each PneuPak are shown to the right of the applicable PneuPak.

PneuPak Size	Blower Model	PneuPak Size	Blower Model	PneuPak Size	Blower Model	PneuPak Size	Blower Model
13-20 33-20	2002	13-30 33-30	3006	13-50 33-50	5009	13-80 33-80	7011 7018
	2004		4005		6005		
	3003		4007		6008		
	3006		5003		7006		
	4002		6005				
13-25 33-25	3003	13-40 33-40	4007	13-60 33-60	6008		
	3006		5006		6015		
	4002		5009		7006		
	4005		6005		7011		
	5003		7006				

Your Local Tuthill Vacuum Blower Systems Sales Professional:



Western Washington: 253-740-0530

Eastern Washington: 509-949-3368

Idaho & Montana: 208-360-3833

Oregon: 503-708-9609

info@nwflowtech.com



Tuthill Vacuum & Blower Systems

4840 West Kearney Street

Springfield, Missouri USA 65803-8702

o 417.865.8715 800.825.6937 f 417.865.2950

tuthillvacuumblower.com



TH-056 02/20