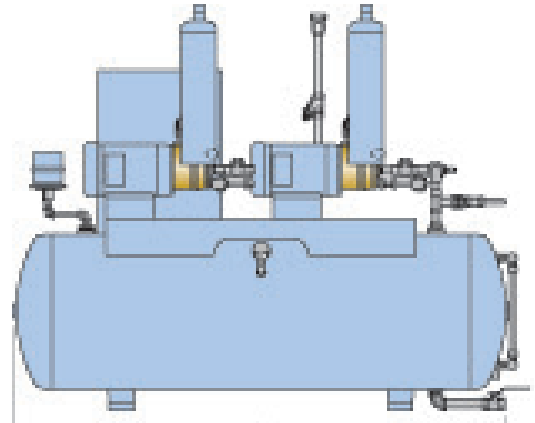


CVP Central Liquid Ring Vacuum System

Features

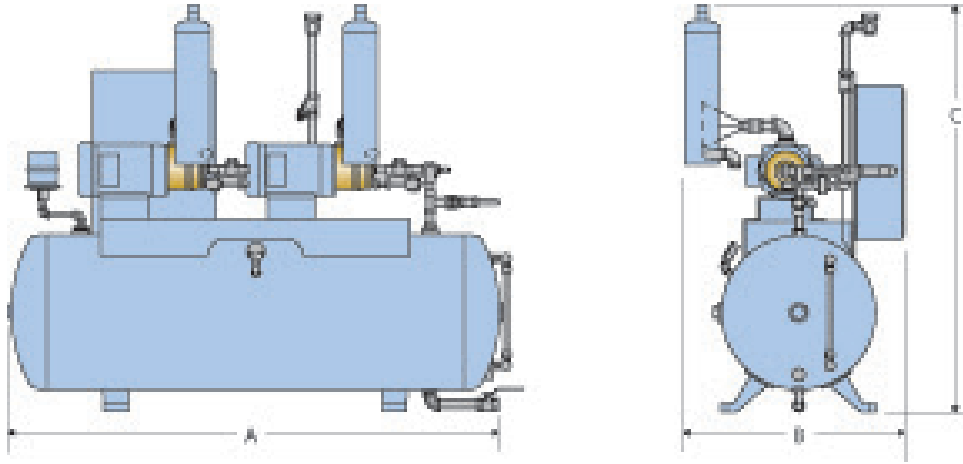
- “Abuser-friendly” axial flow pump design
- Quiet, vibration-free operation
- Bronze construction liquid ring pumps, TEFC motor(s)
- Galvanized steel ASME code (100 PSIG [6.89 bar g]) vacuum receiver
- Air discharge water separator silencers for quiet operation
- Flow ranges:
 - Simplex: 10 - 125 CFM (17 - 212 m³/h)
 - Duplex: 20 - 250 CFM (34 - 425 m³/h)
- Fully instrumented including:
 - Adjustable vacuum switch
 - NEMA 4 control panel
 - Tank level sight gauge
 - Thermostatic valve
 - Solenoid valve
 - Vacuum gauge



CVP Central Vacuum Systems provide a remote supply of plant vacuum which can be located away from the production area or vacuum outlets, thus reducing noise and heat in the work area. The systems feature the “A” Series single-stage liquid ring pumps in either a simplex (one pump) or duplex (two pumps) design. The energy-efficient systems are designed to operate automatically, with the pump(s) starting when the plant vacuum demand increases, and stopping when the demand is met. Vacuum is maintained by means of pressure switches which cycle the pump(s). These systems require only water and electric power connections. A solenoid valve on the seal water line provides water whenever the pump(s) cycle.

Typical Applications:

- Medical/Dental Vacuum
- Laboratory Vacuum
- Vacuum Priming
- Vacuum Packaging
- Vacuum Pressure Impregnation
- Food Processing



Specifications

MODEL	CFM at vacuum in Hg				SIMPLEX / DUPLEX	Motor		TANK CAP-GALS	Dimensions - Inches			WGT. LBS/KG
	15	20	25	28		HP	RPM		A	B	C	
CVP010	15	15	14	10	SIMPLEX	1 1/2	3550	80	63	30	58	335/152
CVP015	20	20	20	13	SIMPLEX	2	3550	80	63	30	58	345/157
CVP020	32	32	32	17	SIMPLEX	3	3550	80	63	30	58	350/159
CVP075	72	72	72	45	SIMPLEX	5	1750	120	69	33	62	550/250
CVP100	105	105	102	60	SIMPLEX	7 1/2	1750	120	69	33	62	590/268
CVP130	125	125	118	65	SIMPLEX	10	1750	120	69	33	62	620/282
CVP010	30	30	28	20	DUPLEX	2 x 1 1/2	3550	80	63	30	58	410/186
CVP015	40	40	40	26	DUPLEX	2 x 2	3550	80	63	30	58	430/195
CVP020	64	64	64	34	DUPLEX	2 x 3	3550	120	69	33	62	570/259
CVP075	144	144	144	90	DUPLEX	2 x 5	1750	120	69	33	62	710/323
CVP100	210	210	204	120	DUPLEX	2 x 7 1/2	1750	200	72	36	68	1000/454
CVP130	250	250	236	130	DUPLEX	2 x 10	1750	200	72	36	68	1060/482

CONTACT US

For more information, contact your
Regional Sales Manager or call us at:

1-800-825-6937

Your Local Sales Professional:



Connect with us online:

www.nwflowtech.com
info@nwflowtech.com

Northwest Flow Technologies | Engineering Services

W. Washington: (253) 740-0530 | E. Washington: (509) 949-3368

Idaho & Montana: (208) 360-3833 | Oregon: (503) 708-9609