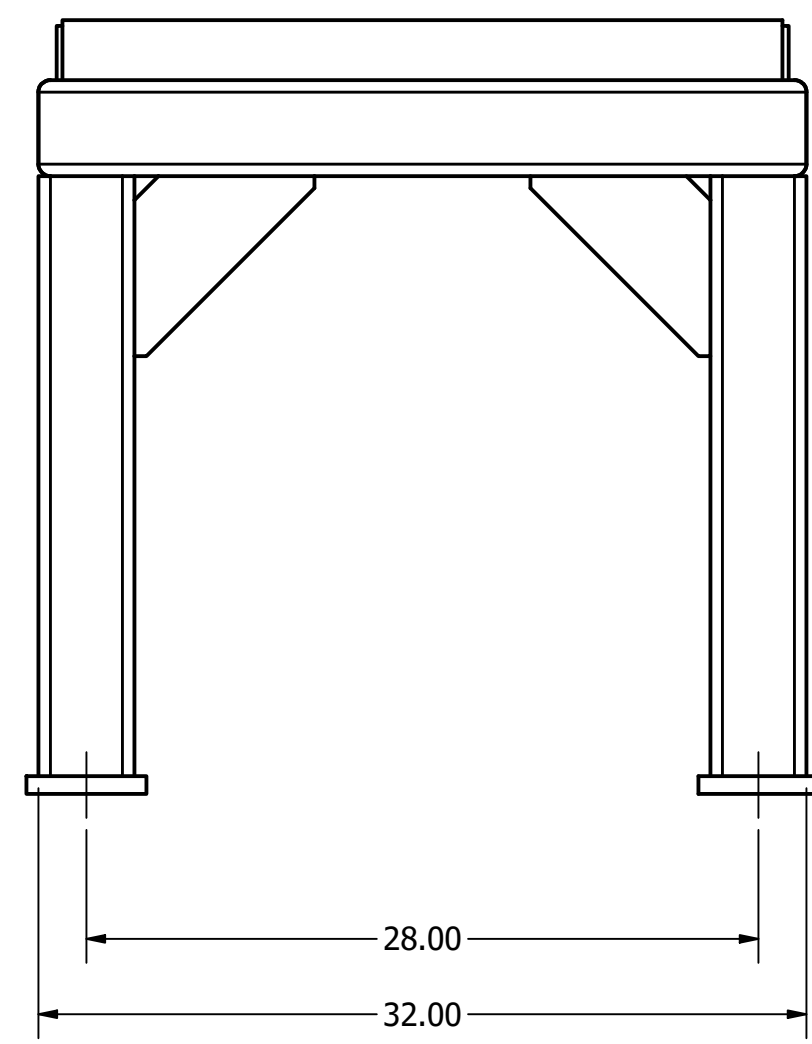
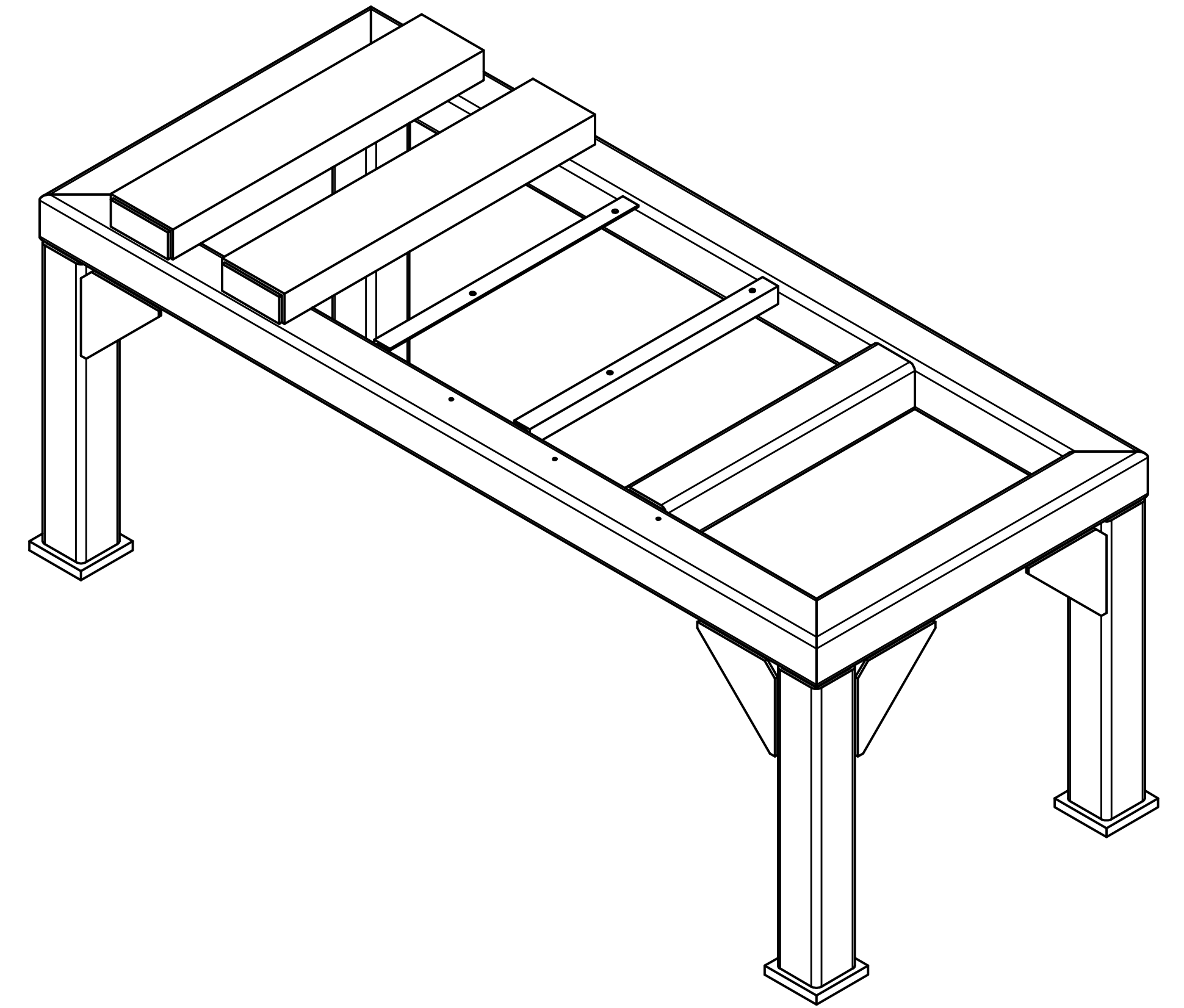
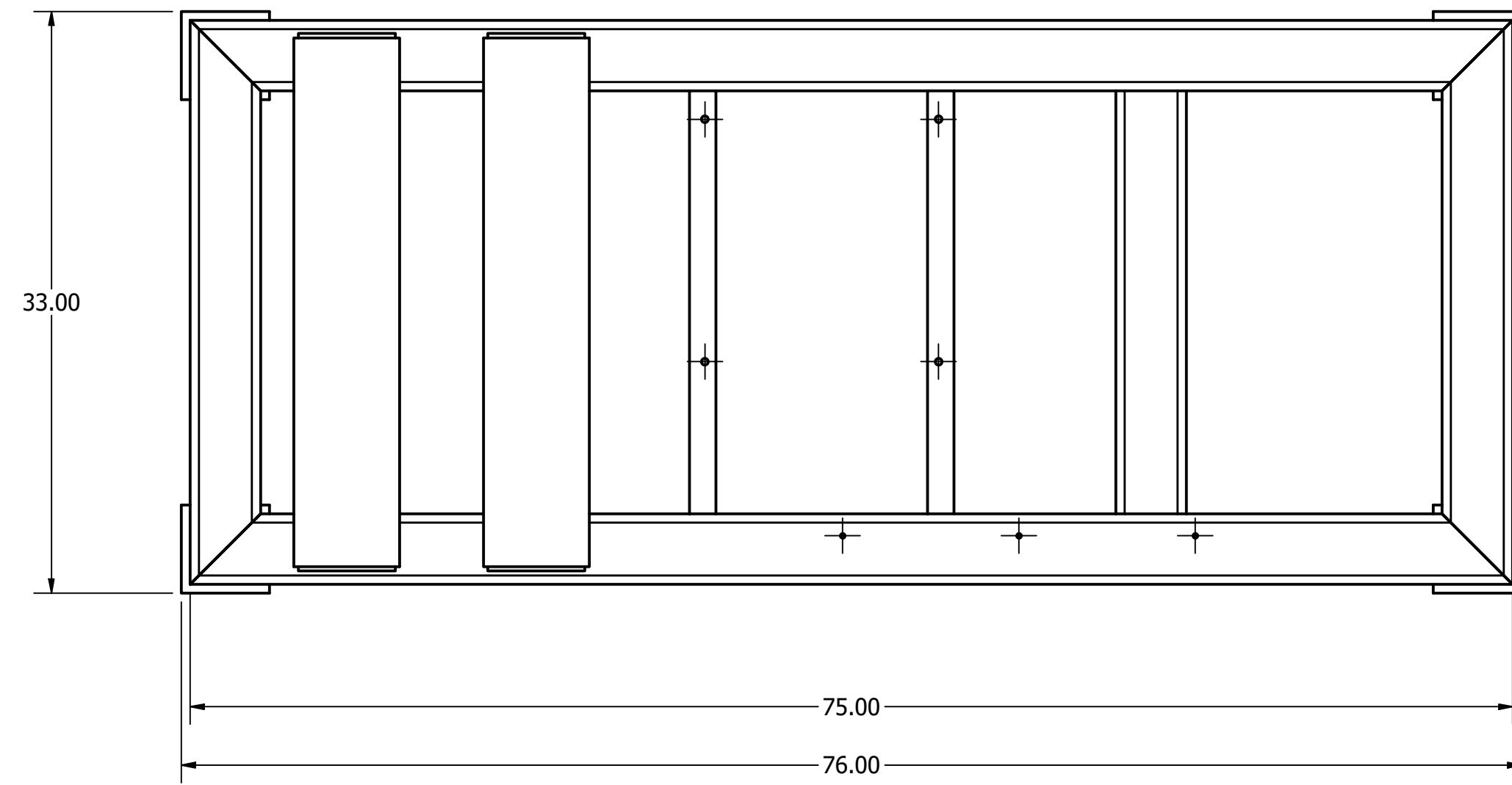


| REVISION HISTORY |                 |           |               |
|------------------|-----------------|-----------|---------------|
| REV              | DESCRIPTION     | DATE      | APPROVED      |
| A                | INITIAL RELEASE | 11/1/2018 | R. FERENTCHAK |



NOTES:  
1. WELDED FRAME ASSEMBLY FOR TUTHILL 7013 PD PLUS BLOWER PACKAGE.

THE TECHNICAL INFORMATION CONTAINED HEREIN IS CONSIDERED NORTHWEST FLOW TECHNOLOGIES PROPRIETARY AND SHALL NOT BE USED, REPRODUCED, RELEASED OR DISCLOSED IN WHOLE OR IN PART WITHOUT PRIOR WRITTEN PERMISSION FROM NORTHWEST FLOW TECHNOLOGIES (A DIVISION OF NORTHWEST INDUSTRIAL REPAIR, INC.).

|                                                                   |                  |                           |                    |                 |                            |          |
|-------------------------------------------------------------------|------------------|---------------------------|--------------------|-----------------|----------------------------|----------|
| DIMENSIONS ARE IN INCHES<br>TOLERANCES UNLESS OTHERWISE SPECIFIED |                  | DRAWN<br>R. FERENTCHAK    | DATE<br>10/30/2018 |                 | <b>BASE FRAME ASSEMBLY</b> |          |
| DECIMALS<br>.XX ± 0.25<br>.XXX ± 0.125<br>.XXXX ± 0.0625          | ANGLES<br>X ± 1° | CHECKED<br>R. FERENTCHAK  | DATE<br>11/1/2018  |                 |                            |          |
| BREAK ALL SHARP EDGES AND REMOVE BURRS                            |                  | APPROVED<br>R. FERENTCHAK | DATE<br>11/1/2018  |                 |                            |          |
| MATERIAL<br>STEEL                                                 |                  | THIRD ANGLE PROJECTION    |                    |                 |                            |          |
| FINISH<br>POWDER COAT BLACK                                       |                  | DO NOT SCALE DRAWING      |                    | SIZE<br>D       | DWG. NO.<br>NC-00010-00    |          |
|                                                                   |                  |                           |                    | SCALE<br>1/8    | EST. WEIGHT<br>438 LBS     | REV<br>A |
|                                                                   |                  |                           |                    | SHEET<br>1 OF 1 |                            |          |