

Compact Booster Vacuum Pump Systems

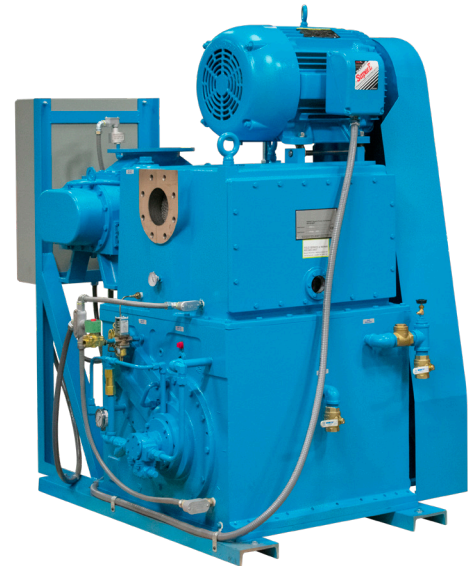
Models

CB2415 CB4015 CB4030

Kinney® Compact Booster Systems combine the features of Kinney KT™ Pumps and Integral Drive Boosters into a space efficient package capable of continuous high pumping capacity down to 10 microns. They are suitable for use in vacuum furnace, vacuum coating, sputtering, space simulation, and other applications.

Features

- High pumping capacity
- Compact envelope
- Quiet, vibration-free
- Water-cooled for low operating temperature
- Tough, durable pumps

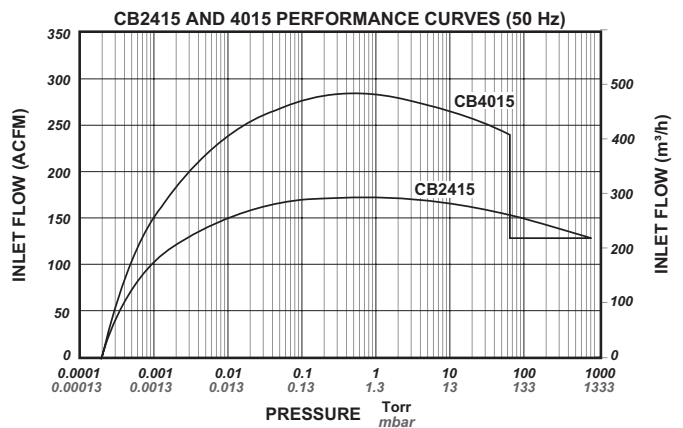
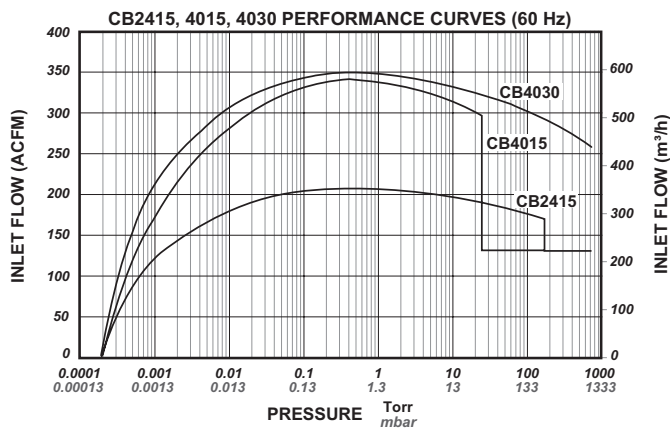


Specifications

SYSTEM MODEL	Hz	CIP ¹ (TORR)	MAXIMUM COP ² (TORR)	BOOSTER MODEL	DISPLACEMENT CFM / m ³ /h	HP/kW	PUMP MODEL	DISPLACEMENT CFM / m ³ /h	HP/kW
CB2415	60	180	*	KMBD-240C	240 / 400	3 / 2.2	KT-150	150 / 250	7.5 / 5.6
	50	760	*						
CB4015	60	25	25	KMBD-400C	400 / 680	3 / 2.2	KT-150	150 / 250	7.5 / 5.6
	50	50	50						
CB4030	60	760	760	KMBD-400C	400 / 680	5 / 3.7	KT-300	300 / 500	15 / 11
	50	760	760						

¹ CIP = Cut-in Pressure ² COP = Continuous Operating Pressure *Limited by motor HP

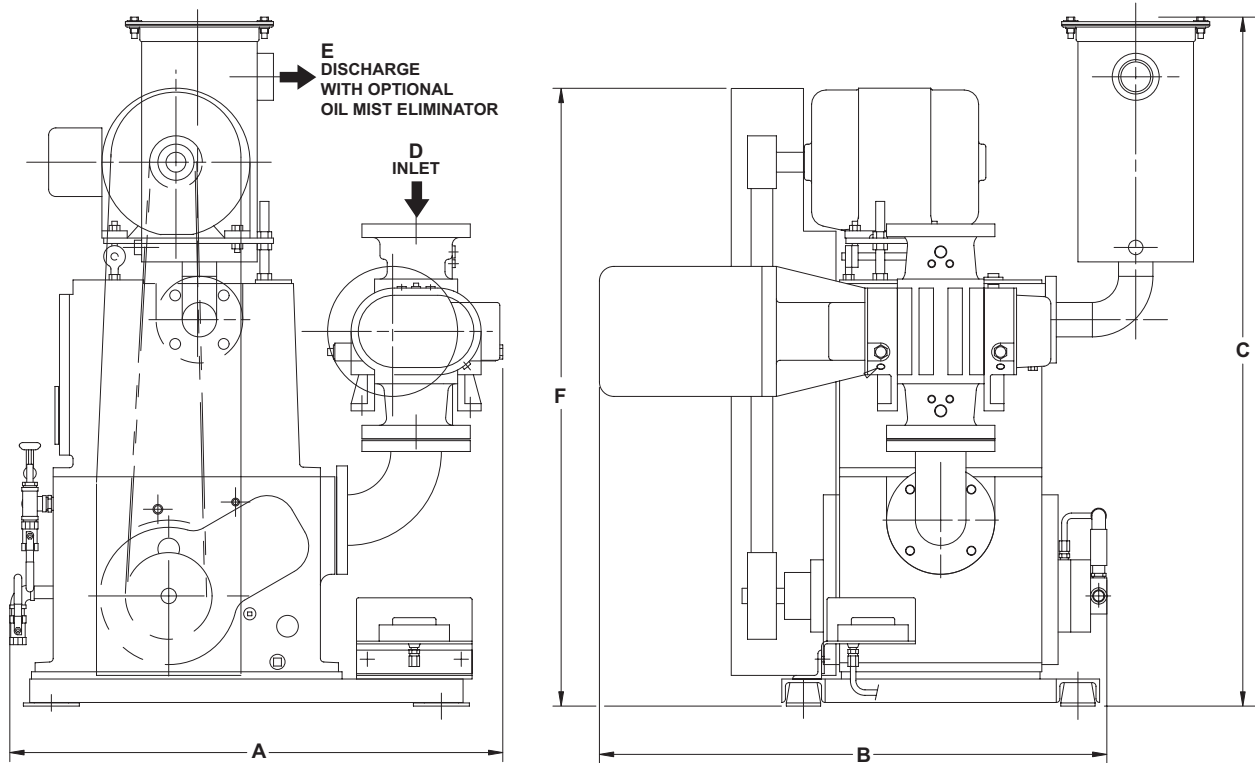
Typical Pumping Speed Curves



Dimensions

Values shown are approximate and should not be used for construction.
Certified drawings are available through your local Kinney Sales Professional.

Models CB2415, CB4015, CB4030



MODEL	A	B	C	D INLET	E DISCHARGE	F	G
CB2415	36 / 914	35 / 889	49 / 1245	3" FLG	2" NPT	44 / 1118	42 / 1067
CB4015	36 / 914	39 / 991	48 / 1219	4" FLG	2" NPT	44 / 1118	48 / 1279
CB4030	39 / 991	42 / 1067	57 / 1448	4" FLG	3" NPT	52 / 1321	50 / 1270

Standard Configuration

- Integral Drive Booster
- Kinney® KT™ Pump
- Dual Voltage 3/60/230-460V TEFC Motors
- Pressure Switch
- Overtemperature Switch
- Steel Base with VibraMounts

Options

- Oil Mist Eliminator
- Suction Flexible Connector
- Cooling Water Solenoid Valve
- Motor Controls
- Air Cooling Systems

CONTACT US

For more information, contact your
Regional Sales Manager or call us at:

1-800-825-6937

Your Local Sales Professional:



Connect with us online:

www.nwflowtech.com
info@nwflowtech.com

Northwest Flow Technologies | Engineering Services

W. Washington: (253) 740-0530 | E. Washington: (509) 949-3368

Idaho & Montana: (208) 360-3833 | Oregon: (503) 708-9609