

# IDX 1000/1300 DRY PUMP

## MAXIMISE YOUR PRODUCTIVITY AND PERFORMANCE



The IDX1000 is the benchmark in performance for fast pump-down of large chambers and high capacity pumping for industrial processes. Based on the double-ended screw technology, the IDX Dry Vacuum Pump will give you all the reliability and performance you want for your process. The IDX outperforms all other dry pumps in robustness, performance and ease of operation, giving you faster pump-down from atmosphere and managing higher throughput at low pressures. Dry pumping systems reduce energy costs, eliminate effluent and can give significant improvements in product quality, making them the ideal solution for many coating and metallurgy processes.



### Features and Benefits

- Improved performance and reliability.
- Continuous performance from atmosphere to ultimate.
- Excellent thermal profile and temperature control.
- Tolerates liquid and particles.
- Does not contaminate your process.

### Applications

- Metallurgy.
- Vacuum Induction Melting (VIM).
- Vacuum Arc Refining (VAR).
- Precision Investment Casting (PIC).
- Steel Degassing.

### Pump Range

- IDX**
- IDX1000
  - IDX1300



# Performance Curves

## IDX1000

### IDX1000



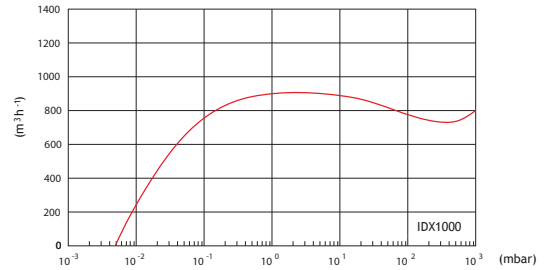
#### Peak Pumping Speed

1000 m<sup>3</sup>h<sup>-1</sup>  
(589 cfm)

#### Ultimate Pressure

5 x 10<sup>-2</sup> mbar  
(3.75 x 10<sup>-2</sup> Torr)

### IDX1000 Performance Curve



### Ordering information

Product description	Order no:
IDX1000 22 kW 50 Hz safe area	A70803985
IDX1000 30 kW 50 Hz safe area extended performance	A70804985
IDX1000 30 hp 60 Hz safe area	A70813985
IDX1000 40 hp 60 Hz safe area extended performance	A70814985

## IDX1300

### IDX1300



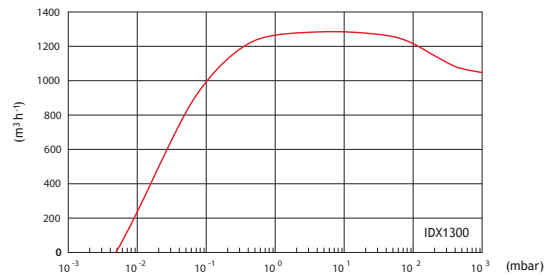
#### Peak Pumping Speed

1300 m<sup>3</sup>h<sup>-1</sup>  
(766 cfm)

#### Ultimate Pressure

5 x 10<sup>-2</sup> mbar  
(3.75 x 10<sup>-2</sup> Torr)

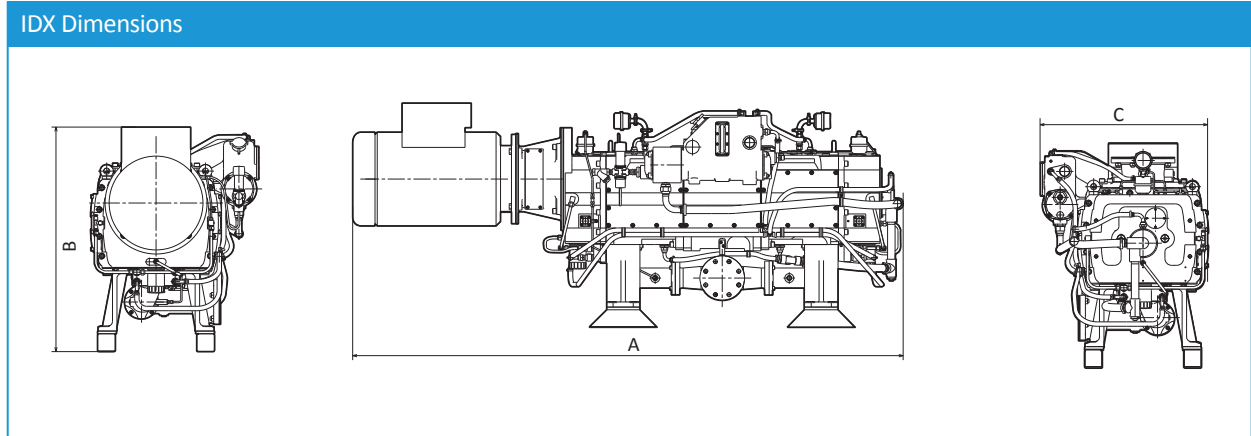
### IDX1300 Performance Curve



### Ordering information

Product description	Order no:
IDX1300 30 kW DIN Safe Area	A70904985
IDX1300 40 hp ANSI Safe Area	A70914985

# Dimensions



		IDX1000	IDX1300
A	50 Hz	2250 mm (88.5")	2465 mm (97")
	60 Hz	2290 mm (90.1")	2515 mm (99")
B		854 mm (33.6")	1005 mm (39.6")
C		750 mm (29.5")	750 mm (29.5")

# Technical Data



		IDX1000	IDX1300
50 Hz	kg (lb)	1560 (3439)	1590 (3506)
60 Hz	kg (lb)	1630 (3594)	1660 (3660 lb)
Pumping speed			
Nominal	m <sup>3</sup> h <sup>-1</sup> (cfm)	1000 (589)	1300 (766)
Actual	m <sup>3</sup> h <sup>-1</sup> (cfm)	900 (560)	1250 (736)
Ultimate pressure	mbar (Torr)	5 x 10 <sup>-2</sup> (3.75 x 10 <sup>-2</sup> )	
Noise	dB(A)	82	
Motor	kW (hp)	30 (40)	
Optional	kW (hp)	22 (30)	-



# Service, Spares and Accessories

## Gear Box Oil

Product description	Order no:
Gear Box Oil 4 Ltr Mobil SHC 629	H11023011

## Coolant

Product description	Order no:
Coolant 0.9/2L Drystar	H12810003

\* 0.9 litres (0.24 US gal) as supplied, 2.0 litres (0.53 US gal) when diluted.

## IDX Kit

Product description	Order no:
IDX Routine maintenance kit	A70801800
IDX Heat exchanger cleaning kit	A70801801
IDX Cooling system overhaul kit	A70801802
IDX Motor fitting kit	A70801803
IDX Drive coupling kit	A70801804
IDX Bearing and seal replacement kit	A70801805
IDX Oil pump replacement kit	A70801806
IDX Strip and rebuild kit	A70801807
IDX Flame arrestor cleaning kit	A70801808
IDX Hoses kit	A70801809
IDX Flame arrestor replacement kit (inlet)	A70801810
IDX Flame arrestor replacement kit (outlet)	A70801811
IDX Flame arrestor tooling kit	A70801812

A number of accessories are available for the CDX and IDX pumps, as listed below. Contact your supplier or Edwards for details of these accessories.

- Exhaust Silencers (mild steel or stainless steel)
- Flame arrestors
- Acoustic enclosures and acoustic cover kits
- Gas ballast kits
- Inlet purge kit
- Exhaust purge kit

## Service

Edwards products, spares and accessories are available from Edwards companies in Belgium, Brazil, China, France, Germany, Israel, Italy, Japan, Korea, Singapore, United Kingdom, U.S.A. and a worldwide network of distributors. The majority of these centres employ Service Engineers who have undergone comprehensive Edwards training courses. Order spare parts and accessories from your nearest Edwards company or distributor.

When you order, please state for each part required:

- Model and item number of your equipment.
- Serial number (if any).
- Item number and description of the part.