

Models

KD-30 KD-50 KDH-130 KDH-150

Features

- Absolute pressures down to the low micron range
- Full pumping speed down to 1 Torr
- Long-life operation due to no metal-to-metal contact in the pumping chamber
- High resistance to abrasion and corrosion
- No small orifices to plug up
- KD pumps include integral oil mist eliminator
- Adjustable gas ballast permits handling of condensable vapors



Models KD-30, KD-50

These pumps have a single shaft and two sets of cams and pistons mounted 180 degrees apart operating in parallel.

Models KDH-130, KDH-150

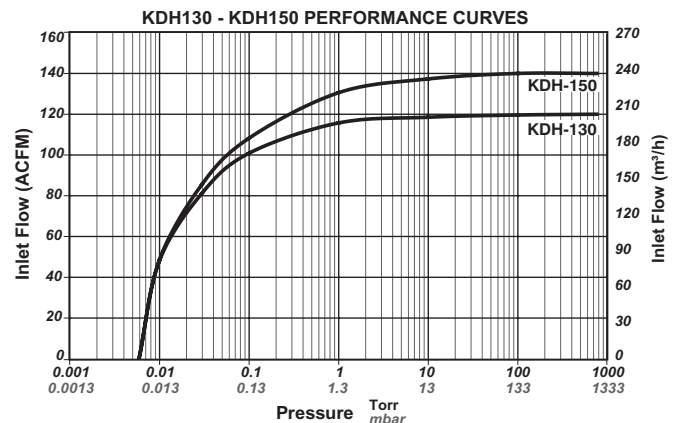
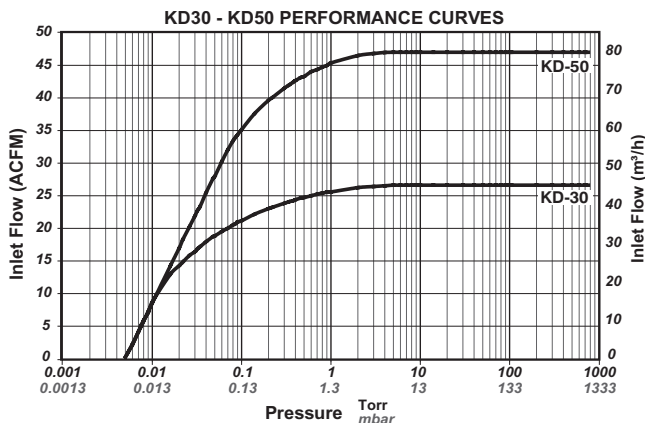
In addition to the features of the KD series the KDH-130, KDH 150 includes a water jacket for cooler operating temperatures (Air-cooling optional for continuous operating pressures <10 Torr*).

Specifications

MODEL	CAPACITY ACFM / m ³ /h	HP / kW	RPM	OIL CAPACITY GAL / Liter	WATER (80°F) GPM / L/min	GAS BALLAST FLOW (MAX) %	BLANK-OFF (5% GAS) Torr / mbar	ULTIMATE PRESSURE MICRONS / mbar
KD-30	33 / 56	1.5 / 1.11	571	1 / 3.78	Air-cooled	8%	1.5 / 2	10 / 0.013
KD-50	52 / 88	2 / 1.5	900	3 / 11.34		6%		
KDH-130	134 / 227	5 / 3.7	546	6 / 22.68	.75* / 3	1.0 / 1.3		
KDH-150	165 / 280	7.5 / 5.6	684		.75 / 3		5%	

* Air Cooling Optional

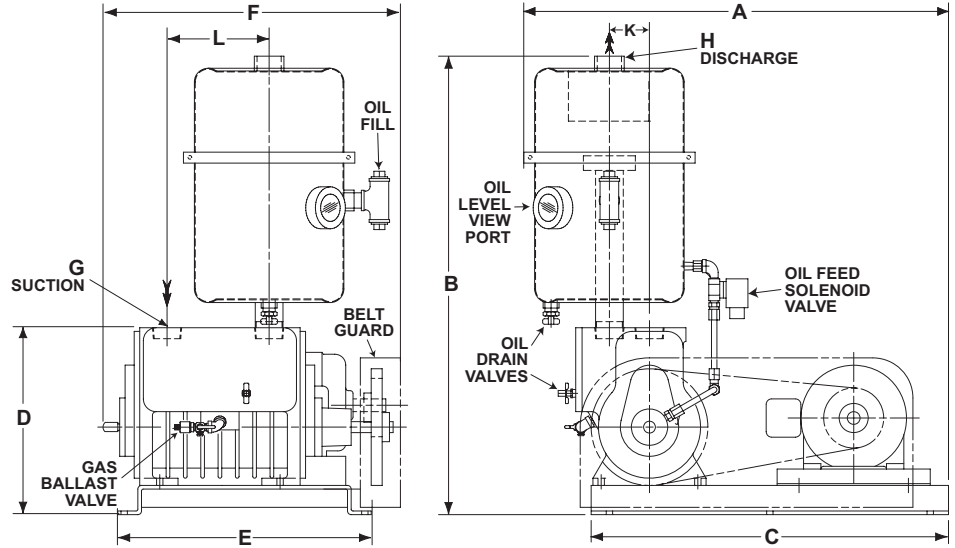
Typical Pumping Speed Curves



Dimensions

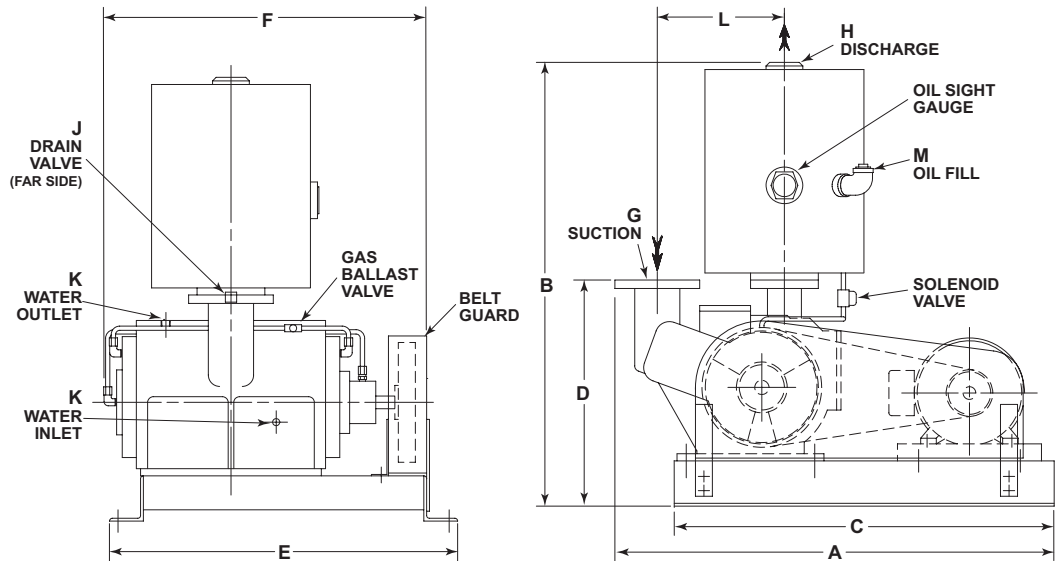
Values shown are approximate and should not be used for construction.
 Certified drawings are available through your local Tuthill Vacuum & Blower Systems Sales Professional.

Models KD-30 & KD-50



MODEL	A	B	C	D	E	F	G	H	K	L	WEIGHT LBS / kg
KD-30	27.75	29	24.50	12.81	17.38	20	1½" NPT	1¼" NPT	2.75	7.00	200
	705	737									91
KD-50	29.13	31.50	622	325	441	508	1½" NPT	1¼" NPT	70	178	230
	740	800									104

Models KDH-130 & KDH-150



MODEL	A	B	C	D	E	F	G	H	J	K	L	WEIGHT LBS / kg
KDH-130	38.88	29.25	33.63	20	30.81	28.68	3" FLG	2" NPT	½" NPT	¾" NPT	11.25	755
	987	997	854	508	783	719						331
KDH-150												840
												381

Your Local Tuthill Vacuum Blower Systems Sales Professional:



Western Washington: 253-740-0530
 Eastern Washington: 509-949-3368
 Idaho & Montana: 208-360-3833
 Oregon: 503-708-9609
info@nwflowtech.com



Tuthill Vacuum & Blower Systems
 4840 West Kearney Street
 Springfield, Missouri USA 65803-8702
 o 417.865.8715 800.825.6937 f 417.865.2950
tuthillvacuumblower.com

