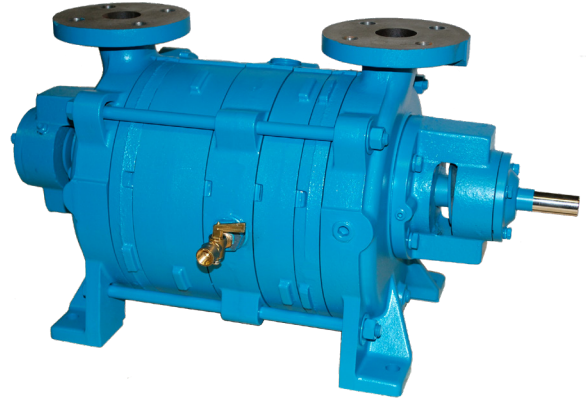


Model KLRC-75

Features

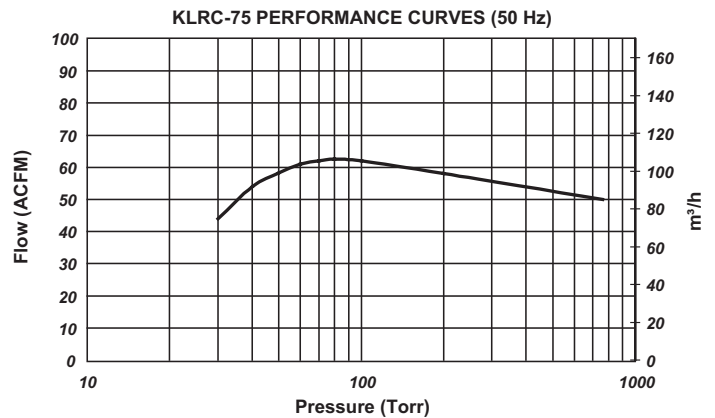
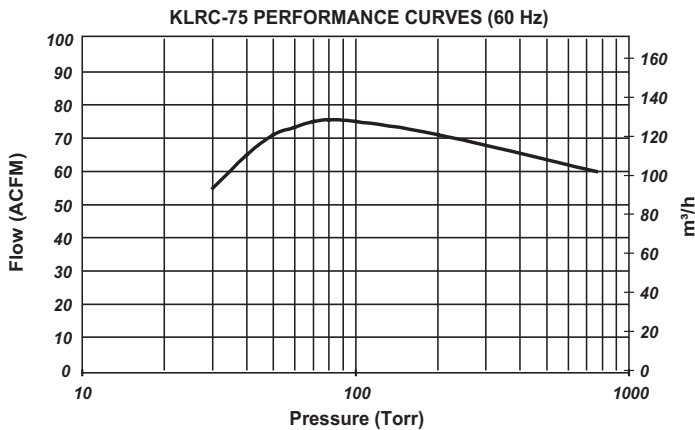
- Impellers positively locked to shaft
- Reliable mechanical seals for high-integrity sealing and low shaft friction
- Center-anchored tie rods allow access to either end of the pump without total disassembly
- Precision casting and CNC machining eliminates the need for body gasketing (process dependent)
- Replaceable end plates
- Clearance adjustments via shims
- Made in the USA



KLRC - 75 Material & Seal Code		
KLRC-75 XY	X	Material code
	Y	Mechanical seal code
Material Code (X)	F	Cast iron casings, SS316L impellers & SS316 shaft
	C	All wetted parts SS316L & SS316 shaft
Mechanical Seal Code (Y)	A	John Crane Type 21 Carbon/Ceramic/Viton
	D	Flowserve Type RO Carbon/Durchrome/Viton.
	L	PTFE encapsulated Viton O-Rings
Consult factory for alternate seal configurations		

Specifications	KLRC-75	
	60 Hz	50 Hz
Motor Power	5 HP	4 KW
Pump Speed	1750 RPM	1450 RPM
Seal Water Flow	5 GPM	
Noise Level	69 dBA @ 75 Torr (3 ft)	
Maximum Allowable Suction Temperature	220°F (Hot Pump)	

Typical Pumping Speed Curves



- 1.) Above performance data based on 68° F inlet air with 50% relative humidity and using water as a sealant at 60° F.
- 2.) All SS pump capacity less 10%

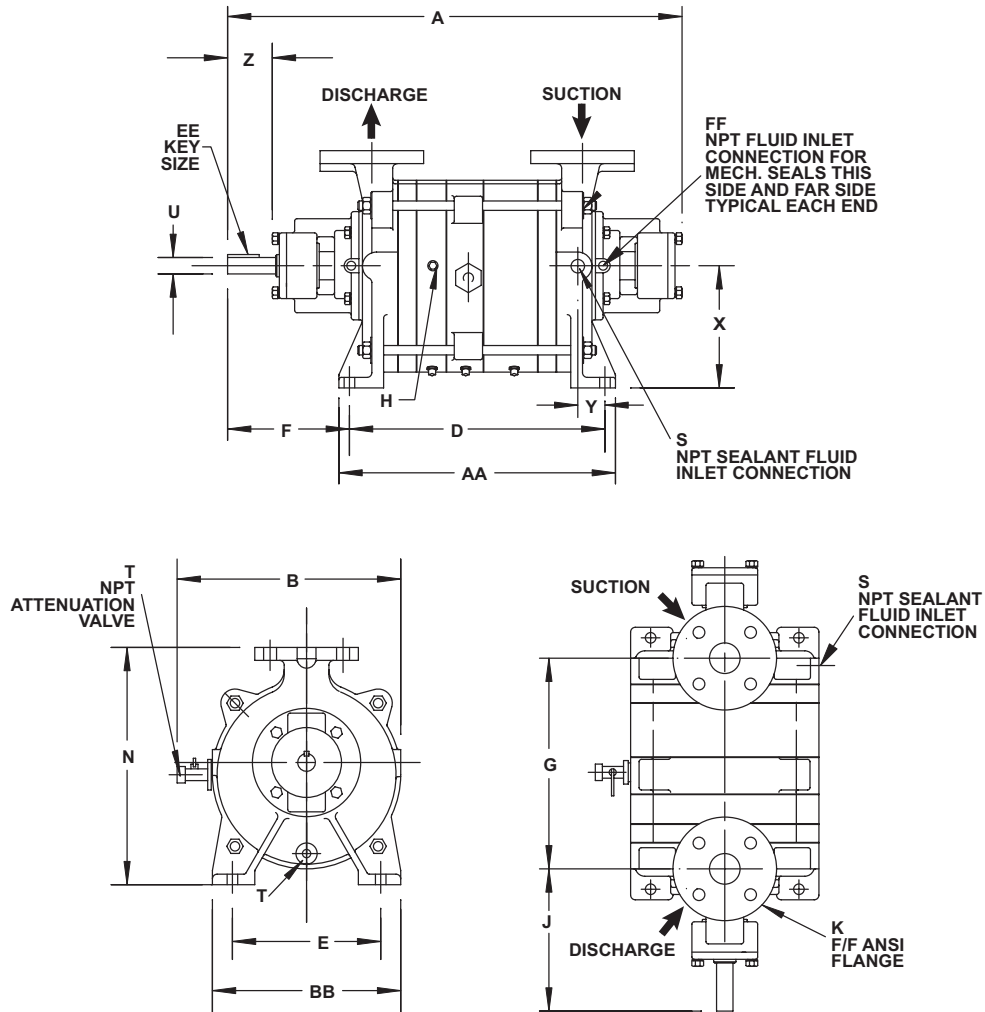
Dimensions

Values shown are approximate and should not be used for construction.
 Certified drawings are available through your local Kinney Sales Professional.

Bare Shaft Pump

Model: **KLRC-75**

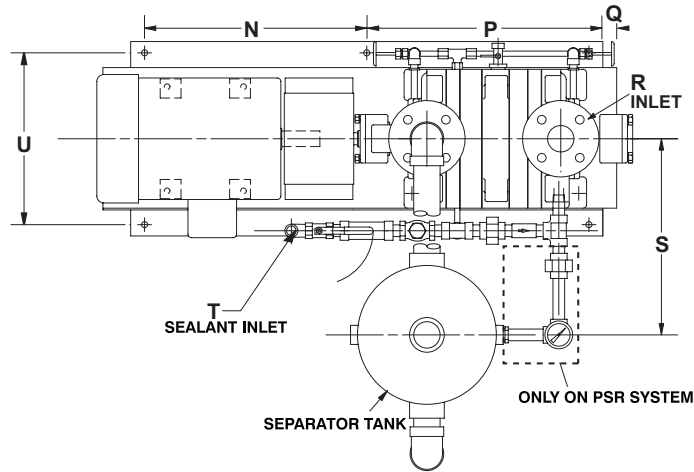
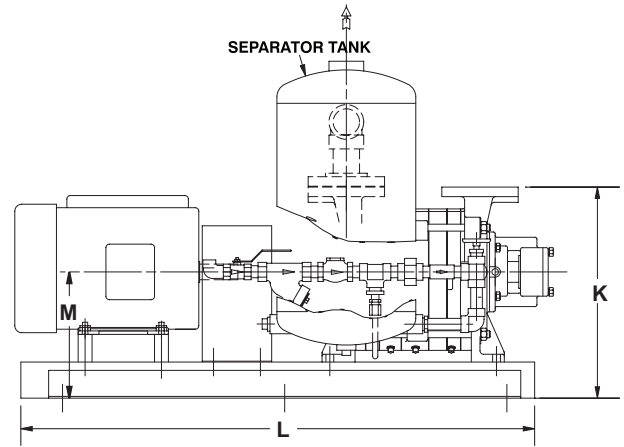
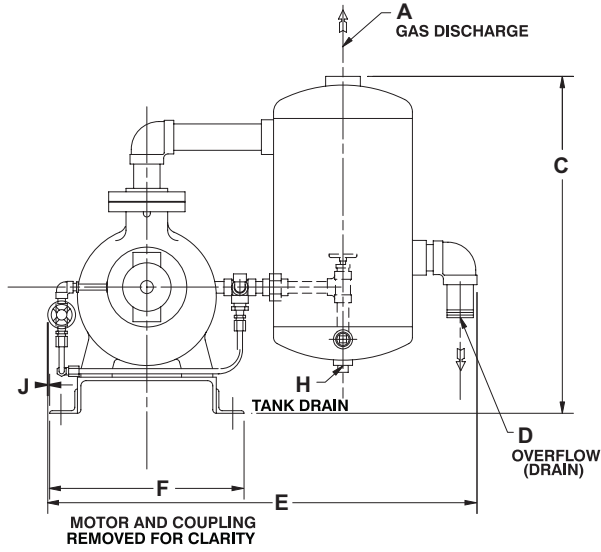
PUMP ROTATION COUNTERCLOCK-
 WISE FACING PUMP DRIVE SHAFT



in mm	A	B	D	E	F	G	H	J	K	N
KLRC-75	24 1/8 612	11 7/8 301	13 9/16 344	7 7/8 200	6 3/8 162	11 3/16 284	1/4 NPTF	7 9/16 192	1 1/2"	12 5/8 320

in mm	S	T	U	X	Y	Z	AA	BB	EE	FF	APPROX. WEIGHT LBS / kg
KLRC-75	1/2" NPTF	1/4" NPTF	7/8"	6 1/2 165	1 7/16 36	2 3/8 60	14 11/16 373	10 254	3/16 x 3/16	1/8" NPTF	200 / 91

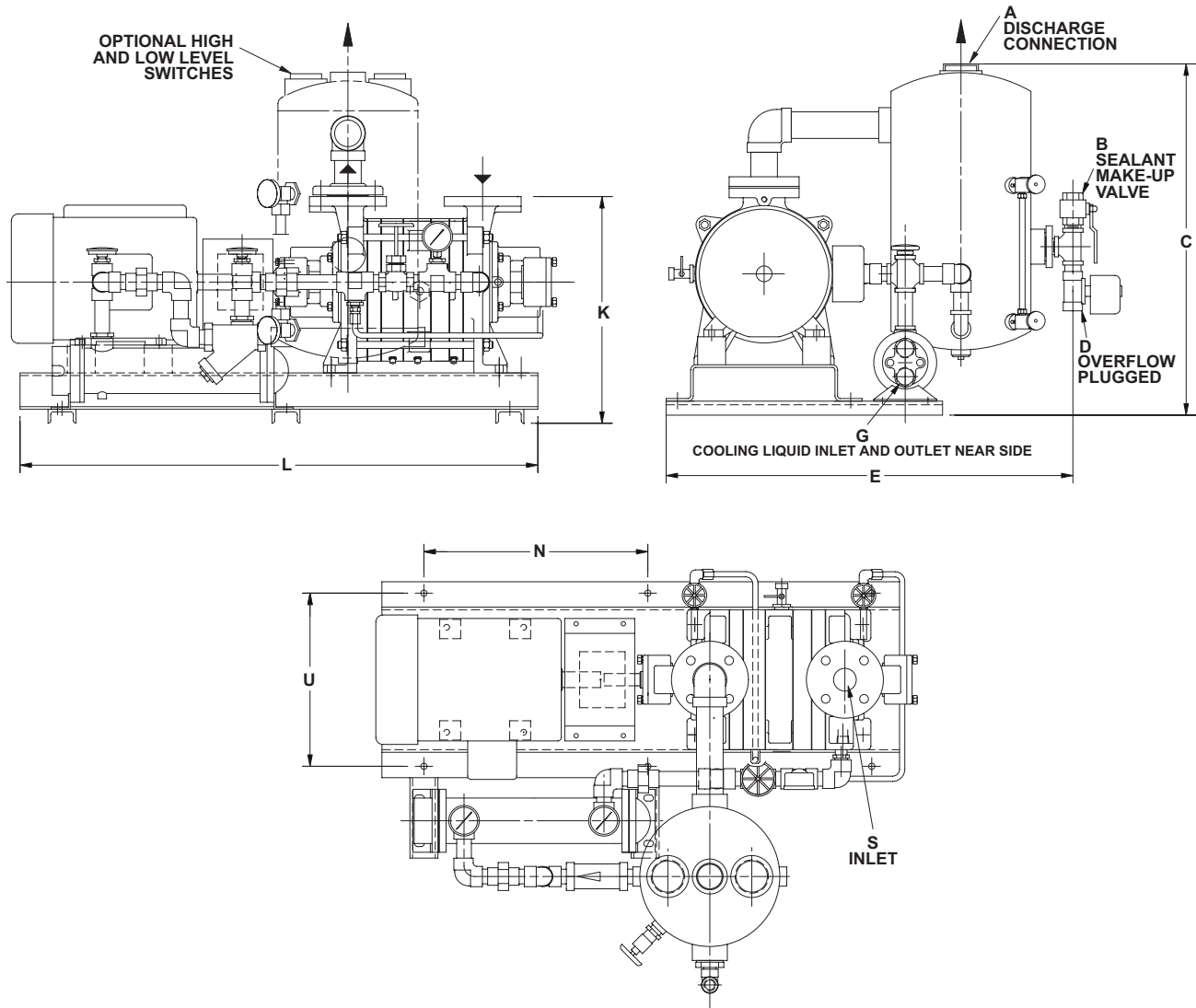
NSR (No Sealant Recovery) & PSR (Partial Sealant Recovery) System Model: KLRC-75



in mm	A	C	D	E	F	J	K	L	M	N	P	Q	R	S	T	U	APPROX. WEIGHT LBS / kg
KLRC-75	1 1/2" NPTM	24 1/4 616	1 1/2" NPTM	30 15/16 786	14 356	1/8 3	15 3/16 386	37 940	9 1/16 230	16 406	16 406	2 51	1 1/2" F/F Flange	14 1/8 359	1/2" NPTF	12 3/8 314	562 255

FSR (Full Sealant Recovery) System

Model: KLRC-75



in mm	A	B	C	D	E	G	K	L	N	S	U	APPROX. WEIGHT LBS / kg
KLRC-75	1 1/2" NPT	1/2" NPT	25 1/8 637	1/2" NPT	29 1/16 738	1" NPT	16 3/16 411	37 940	16 406	1 1/2" F/F Flange	12 3/8 314	587 266

CONTACT US

For more information, contact your Regional Sales Manager or call us at:

1-800-825-6937

Your Local Sales Professional:



Connect with us online:

www.nwflowtech.com
info@nwflowtech.com

Northwest Flow Technologies | Engineering Services

W. Washington: (253) 740-0530 | E. Washington: (509) 949-3368

Idaho & Montana: (208) 360-3833 | Oregon: (503) 708-9609