

KINNEY ROTARY PISTON SINGLE-STAGE VACUUM PUMPS

KC | KD30, KD50, KDH130, KDH 150



Models

KD-30 KD-50 KDH-130 KDH-150

Features

- Absolute pressures down to the low micron range
- Full pumping speed down to 1 Torr
- Long-life operation due to no metal-to-metal contact in the pumping chamber
- High resistance to abrasion and corrosion
- No small orifices to plug up
- KD pumps include integral oil mist eliminator
- Adjustable gas ballast permits handling of condensable vapors



Models KD-30, KD-50

These pumps have a single shaft and two sets of cams and pistons mounted 180 degrees apart operating in parallel.

Models KDH-130, KDH-150

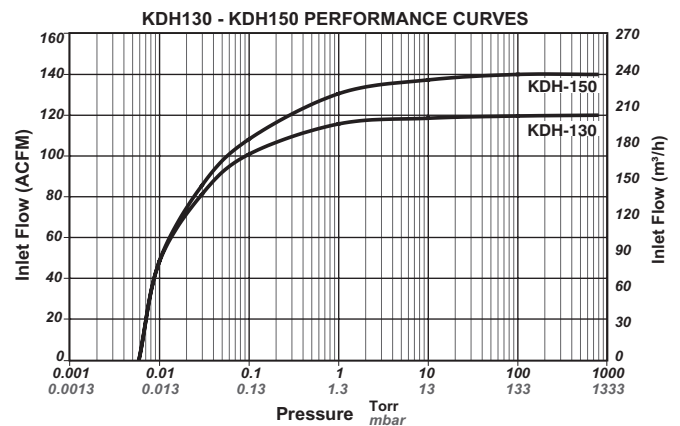
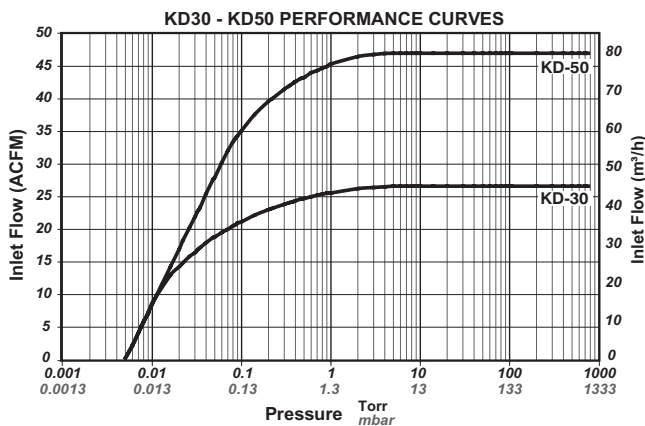
In addition to the features of the KD series the KDH-130, KDH 150 includes a water jacket for cooler operating temperatures (Air-cooling optional for continuous operating pressures <10 Torr*).

Specifications

MODEL	CAPACITY ACFM / m ³ /h	HP / kW	RPM	OIL CAPACITY GAL / Liter	WATER (80°F) GPM / L/min	GAS BALLAST FLOW (MAX) %	BLANK-OFF (5% GAS) Torr / mbar	ULTIMATE PRESSURE MICRONS / mbar
KD-30	33 / 56	1.5 / 1.11	571	1 / 3.78	Air-cooled	8%	1.5 / 2	10 / 0.013
KD-50	52 / 88	2 / 1.5	900	3 / 11.34		6%		
KDH-130	134 / 227	5 / 3.7	546	6 / 22.68	.75* / 3	1.0 / 1.3		
KDH-150	165 / 280	7.5 / 5.6	684		.75 / 3		5%	

* Air Cooling Optional

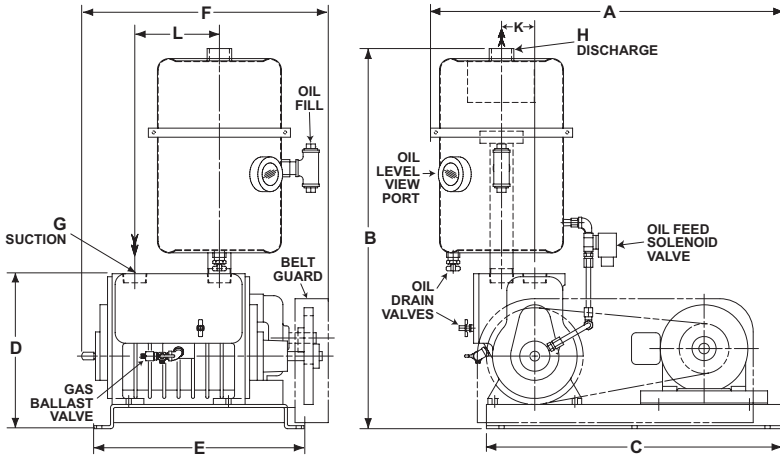
Typical Pumping Speed Curves



Dimensions

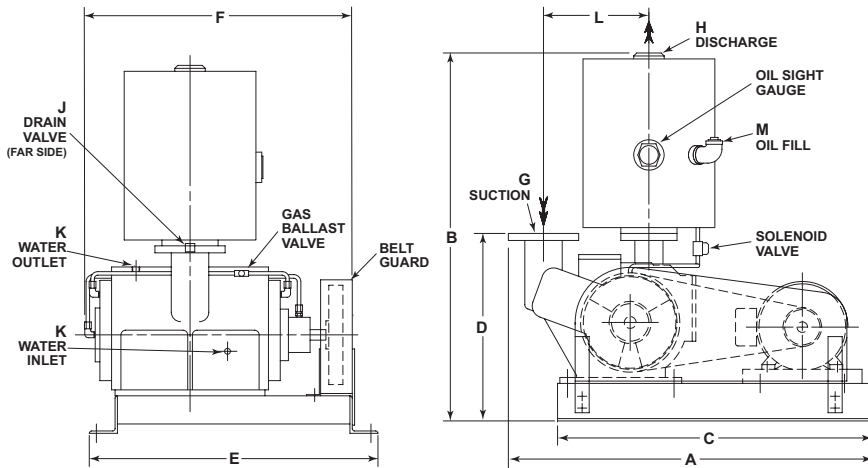
Values shown are approximate and should not be used for construction.
 Certified drawings are available through your local Kinney Sales Professional.

Models KD-30 & KD-50



MODEL	A	B	C	D	E	F	G	H	K	L	WEIGHT LBS / kg
KD-30	27.75 705	29 737	24.50 622	12.81 325	17.38 441	20 508	1½" NPT	1¼" NPT	2.75 70	7.00 178	200 91
KD-50	29.13 740	31.50 800									230 104

Models KDH-130 & KDH-150



MODEL	A	B	C	D	E	F	G	H	J	K	L	WEIGHT LBS / kg
KDH-130	38.88 987	29.25 997	33.63 854	20 508	30.81 783	28.68 719	3" FLG	2" NPT	½" NPT	¾" NPT	11.25 286	755 331
KDH-150												840 381

CONTACT US

For more information, contact your
 Regional Sales Manager or call us at:

1-800-825-6937

Your Local Sales Professional:



Connect with us online:

www.nwflowtech.com

info@nwflowtech.com

Northwest Flow Technologies | Engineering Services

W. Washington: (253) 740-0530 | E. Washington: (509) 949-3368

Idaho & Montana: (208) 360-3833 | Oregon: (503) 708-9609