

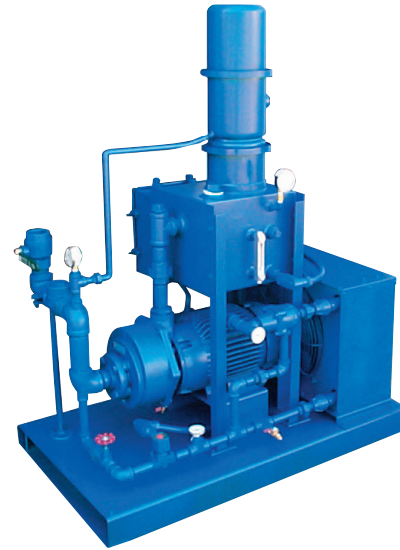
AF OSR SYSTEMS

Models

OSR-200 OSR-300

Features

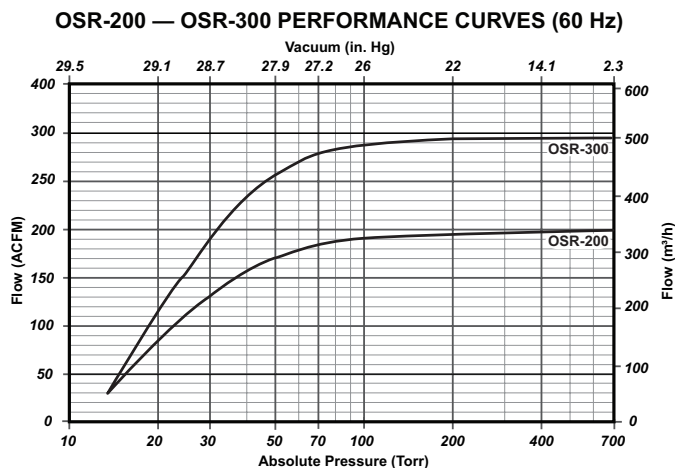
- Fluid-Vac “abuser-friendly” axial flow design
- Totally self contained package. No external sealant or cooling liquid is required.
- Close coupled compact design. No couplings to align or coupling guards to maintain.
- Robust industrial pump and motor provides years of trouble-free operation.
- High efficiency separator minimizes oil carryover.
- Fully instrumented system includes temperature gauges and inlet vacuum gauge.
- Quiet, vibration-free operation
- Inlet check valve prevents backflow when system is taken off line.



Specifications

	MODEL	OSR-200	OSR-300
Nominal Flow Capacity	CFM / <i>m³/h</i>	200 / <i>340</i>	300 / <i>510</i>
Motor	HP / <i>kW</i>	15 / <i>11</i>	20 / <i>15</i>
Pump RPM	RPM	1150	1150
Oil Capacity	Gallons / <i>Liters</i>	12 / <i>45</i>	12 / <i>45</i>
Weight	lbs. / <i>kg</i>	1480 / <i>672</i>	1500 / <i>681</i>

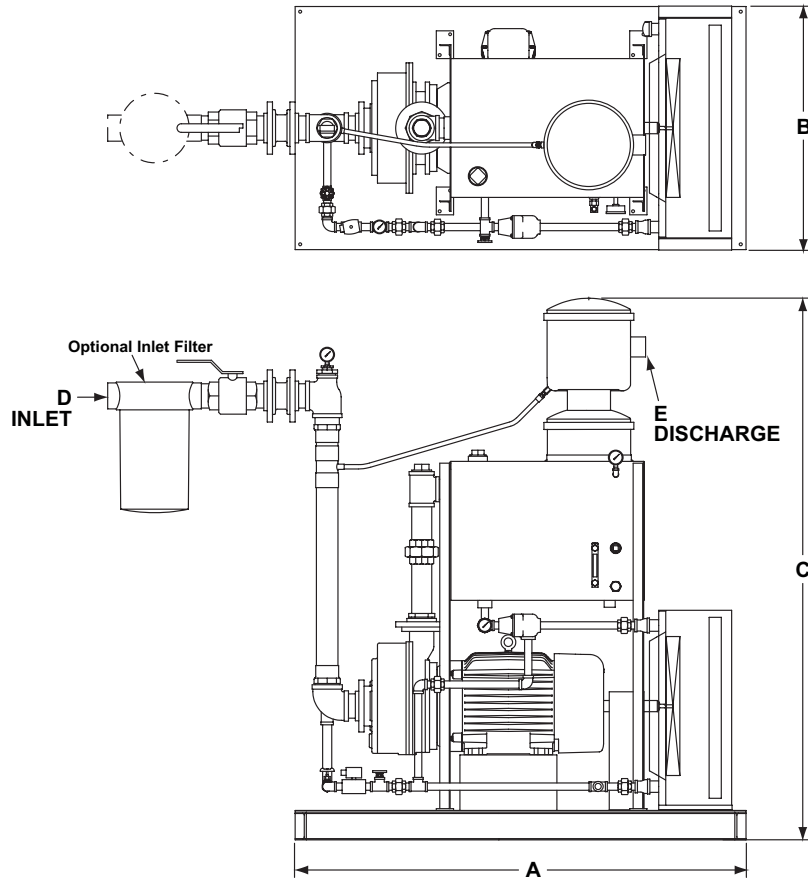
Typical Pumping Speed Curves



Dimensions

Values shown are approximate and should not be used for construction.
 Certified drawings are available through your local Kinney Sales Professional.

Models OSR-200, OSR-300



MODEL inches / mm	A	B	C	D Inlet	E Discharge	Weight (lbs. / kg)
OSR-200	66 / 1676	36 / 914	77 / 1956	3" NPT	3" NPT	1480 / 672
OSR-300	66 / 1676	36 / 914	77 / 1956	3" NPT	3" NPT	1500 / 681

CONTACT US

For more information, contact your
 Regional Sales Manager or call us at:

1-800-825-6937

Your Local Sales Professional:



Connect with us online:

www.nwflowtech.com
info@nwflowtech.com

Northwest Flow Technologies | Engineering Services

W. Washington: (253) 740-0530 | E. Washington: (509) 949-3368

Idaho & Montana: (208) 360-3833 | Oregon: (503) 708-9609