

Models

KVO-1100 KVO-1300

Features

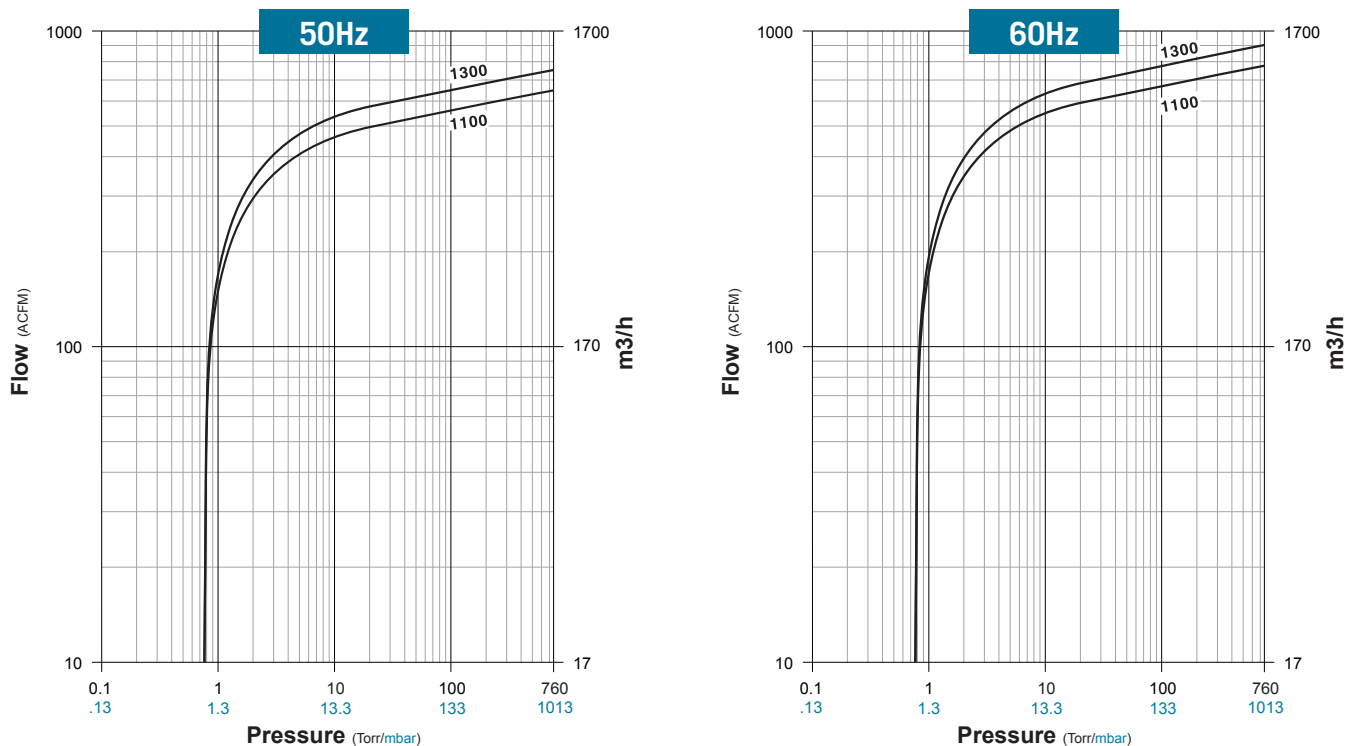
- Rugged and easy to service
- High efficiency
- Quiet, small footprint
- Equipped with NEMA Premium motor
- Easy maintenance and less downtime
- Air-cooled
- Ultimate vacuum for continuous operation of 0.75 Torr (with gas ballast), 0.075 without gas ballast
- Standard gas ballast
- Multistage exhaust filtration system



Specifications

Model	Nominal Displacement	Ultimate Pressure Without Gas Ballast	Ultimate Pressure With Gas Ballast	Motor	Rotation Speed	Oil Capacity	Pump Weight Includes Motor	Noise Level Max
	CFM / m3/hr	Torr / mbar	Torr / mbar	60Hz HP / 50Hz kW	60Hz / 50Hz	Gal. / Liters	Lbs. / kg	dB(A)
KVO-1100	50Hz 647 / 1100 60Hz 777 / 1320	0.075 / 0.1	0.75 / 1.0	40 / 30	1140 / 950	6.5 / 25	2471 / 1121	83
KVO-1300	50Hz 753 / 1280 60Hz 903 / 1534	0.075 / 0.1	0.75 / 1.0	40 / 30	1140 / 950	6.5 / 25	2486 / 1128	84

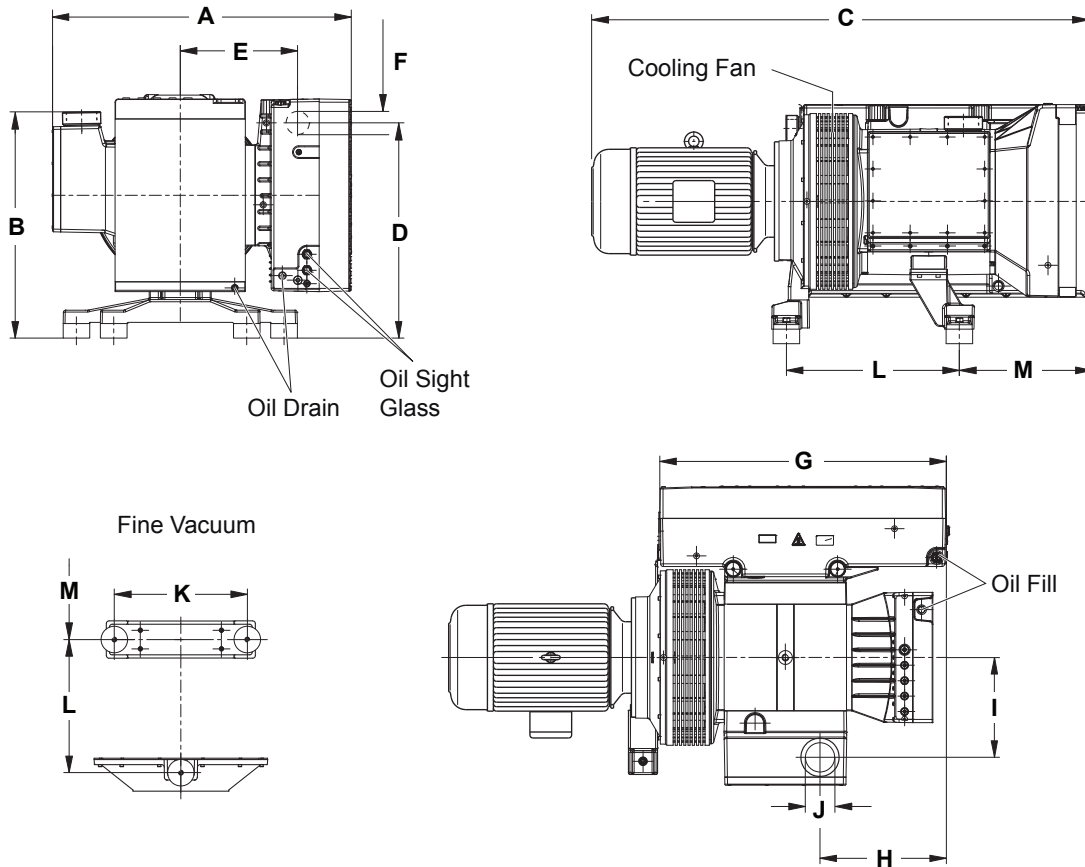
Typical Pumping Speed Curves NOTE: Curves represented with gas ballast open.



Dimensions

Values shown are approximate and should not be used for construction.
 Certified drawings are available through your local Kinney Sales Professional.

Models KVO-1100, KVO-1300



Model	A	B	C	D	E	F - EXHAUST	G	H	I	J - INLET	K	L	M
KVO-1100 in. / mm	44.29 1125	29.06 738	75.57 1920	27.52 699	17.36 441	3" FNPT	45.49 1156	20.8 510	14.76 375	4" FNPT	19.68 500	19.68 500	25.2 640
KVO-1300 in. / mm	44.29 1125	29.06 738	75.57 1920	27.52 699	17.36 441	3" FNPT	45.49 1156	20.8 510	14.76 375	4" FNPT	19.68 500	19.68 500	25.2 640

CONTACT US

For more information, contact your
 Regional Sales Manager or call us at:

1-800-825-6937

Your Local Sales Professional:



Connect with us online:

www.nwflowtech.com
info@nwflowtech.com

Northwest Flow Technologies | Engineering Services

W. Washington: (253) 740-0530 | E. Washington: (509) 949-3368

Idaho & Montana: (208) 360-3833 | Oregon: (503) 708-9609