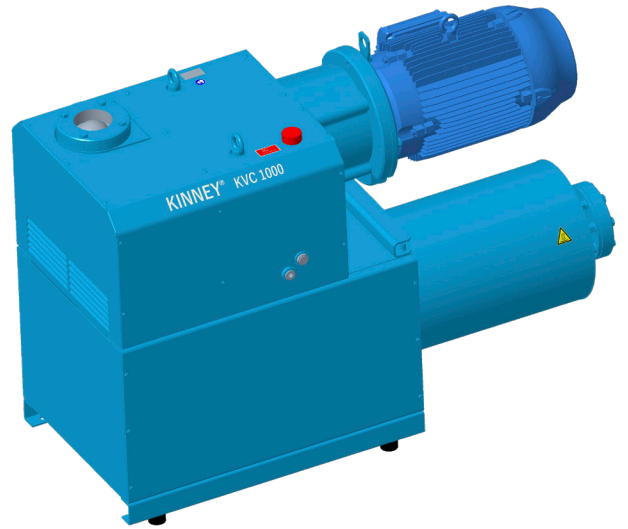


## Models

KVC-1000

## Features

- High efficiency, dry, and contact-less oil-free compression claw vacuum pump
- Equipped with NEMA Premium motor
- Ultimate vacuum for continuous operations is 150 Torr
- Air-cooled and low maintenance
- Suitable for multiple applications with air or inert gases
- Simple and fast installation

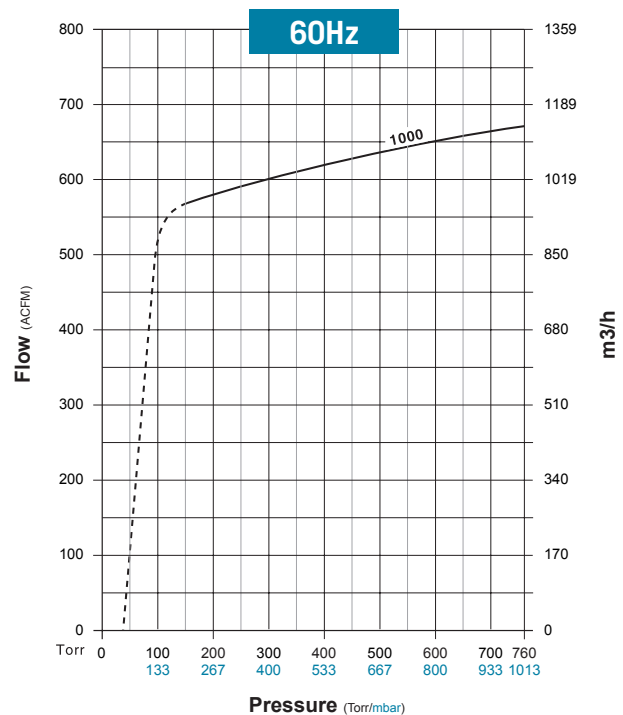
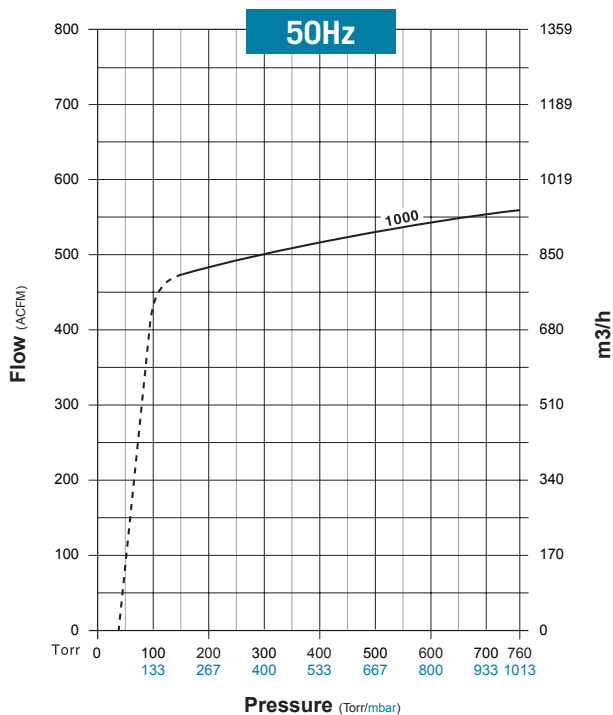


## Specifications

Model	Nominal Displacement	Ultimate Pressure	Motor	Rotation Speed	Oil Capacity	Pump Weight <i>Includes Motor</i>	Noise Level Max
	CFM / m3/hr	Torr / mbar	60Hz HP / 50Hz kW	60Hz / 50Hz	Gal. / Liters	Lbs. / kg	dB(A)
<b>KVC-1000</b>	50Hz 559 / 950 60Hz 671 / 1140	150 / 200	30 / 18.5	3550 / 2950	.7 / 2.7	1803 / 818	83

## Typical Pumping Speed Curves

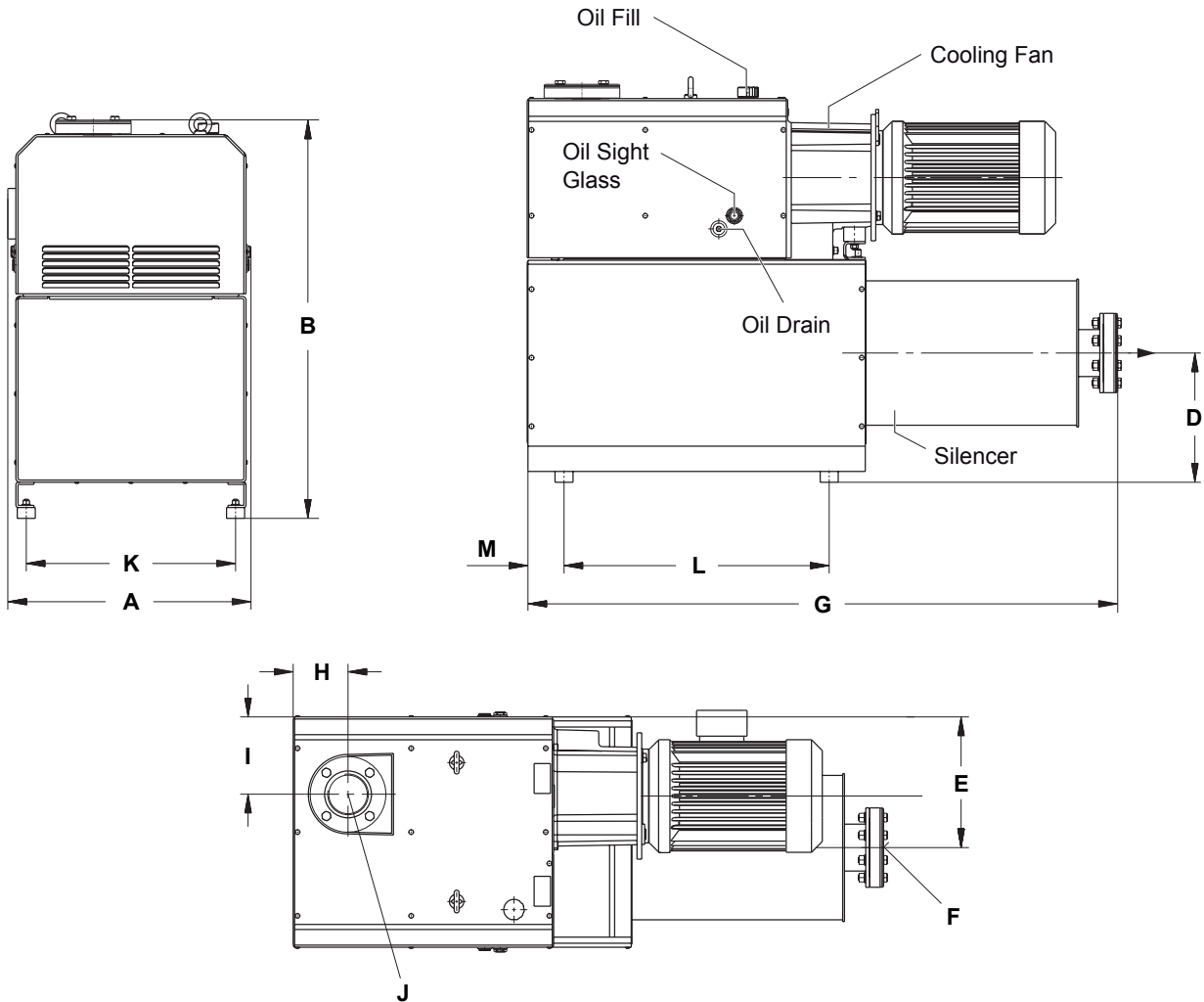
*Note: Do not operate the pump in the vacuum level shown by the dotted line.*



## Dimensions

Values shown are approximate and should not be used for construction.  
 Certified drawings are available through your local Kinney Sales Professional.

## Models KVC-1000



Model	A	B	D	E	F - EXHAUST	G	H	I	J - INLET	K	L	M
<b>KVC-1000</b>	28	43.5	14.09	14.25	4" FNPT	64.45	5.98	8.43	4" NPT	22.83	28.94	4.02
in. / mm	711	1105	358	362		1637	152	214		580	735	102

## CONTACT US

For more information, contact your  
 Regional Sales Manager or call us at:

**1-800-825-6937**

Your Local Sales Professional:



Connect with us online:

[www.nwflowtech.com](http://www.nwflowtech.com)  
[info@nwflowtech.com](mailto:info@nwflowtech.com)

**Northwest Flow Technologies | Engineering Services**

W. Washington: (253) 740-0530 | E. Washington: (509) 949-3368

Idaho & Montana: (208) 360-3833 | Oregon: (503) 708-9609