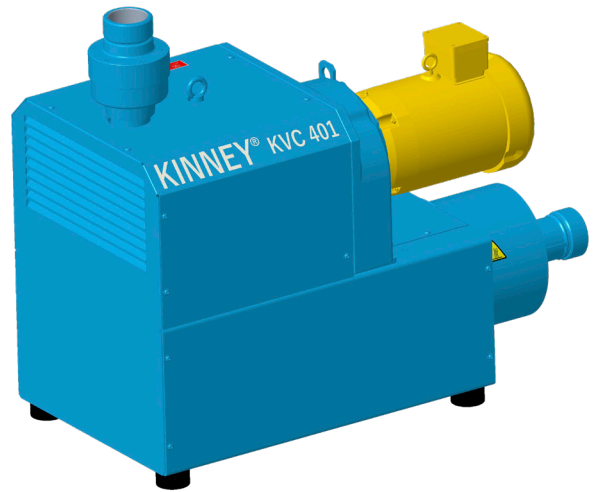


## Models

KVC-401 KVC-501

## Features

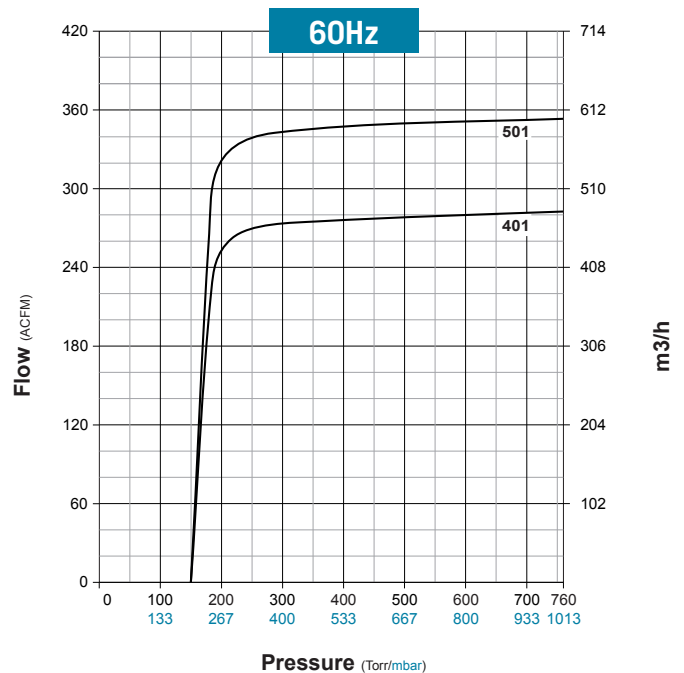
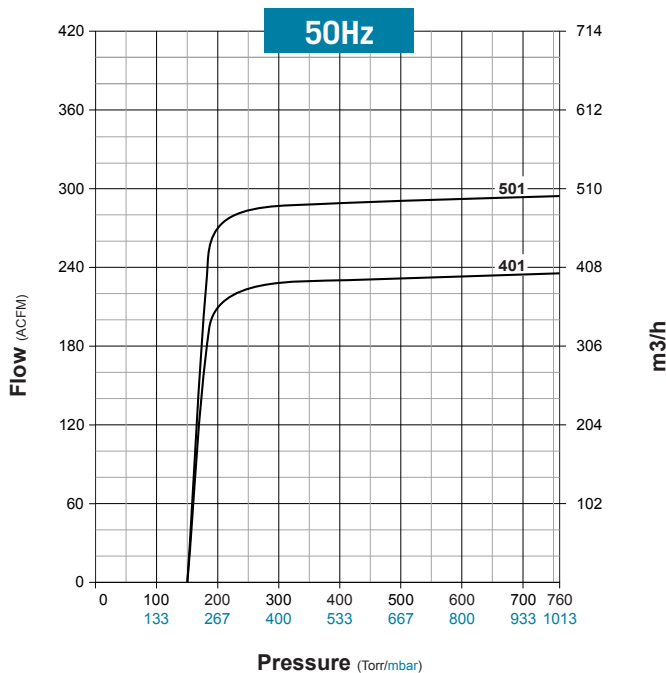
- High efficiency, dry, and contact-less oil-free compression claw vacuum pump
- Equipped with NEMA Premium motor
- Ultimate vacuum for continuous operations is 150 Torr
- Air-cooled and low maintenance
- Suitable for multiple applications with air or inert gases
- Simple and fast installation



## Specifications

Model	Nominal Displacement	Ultimate Pressure	Motor	Rotation Speed	Oil Capacity	Pump Weight <i>Includes Motor</i>	Noise Level Max
	CFM / m3/hr	Torr / mbar	60Hz HP / 50Hz kW	60Hz / 50Hz	Gal. / Liters	Lbs. / kg	dB(A)
KVC-401	50Hz 240 / 408 60Hz 285 / 485	150 / 200	12 / 7.5	3550 / 2950	.5 / 1.8	930 / 442	81
KVC-501	50Hz 295 / 501 60Hz 355 / 603	150 / 200	15 / 11	3550 / 2950	.5 / 1.8	1118 / 512	81

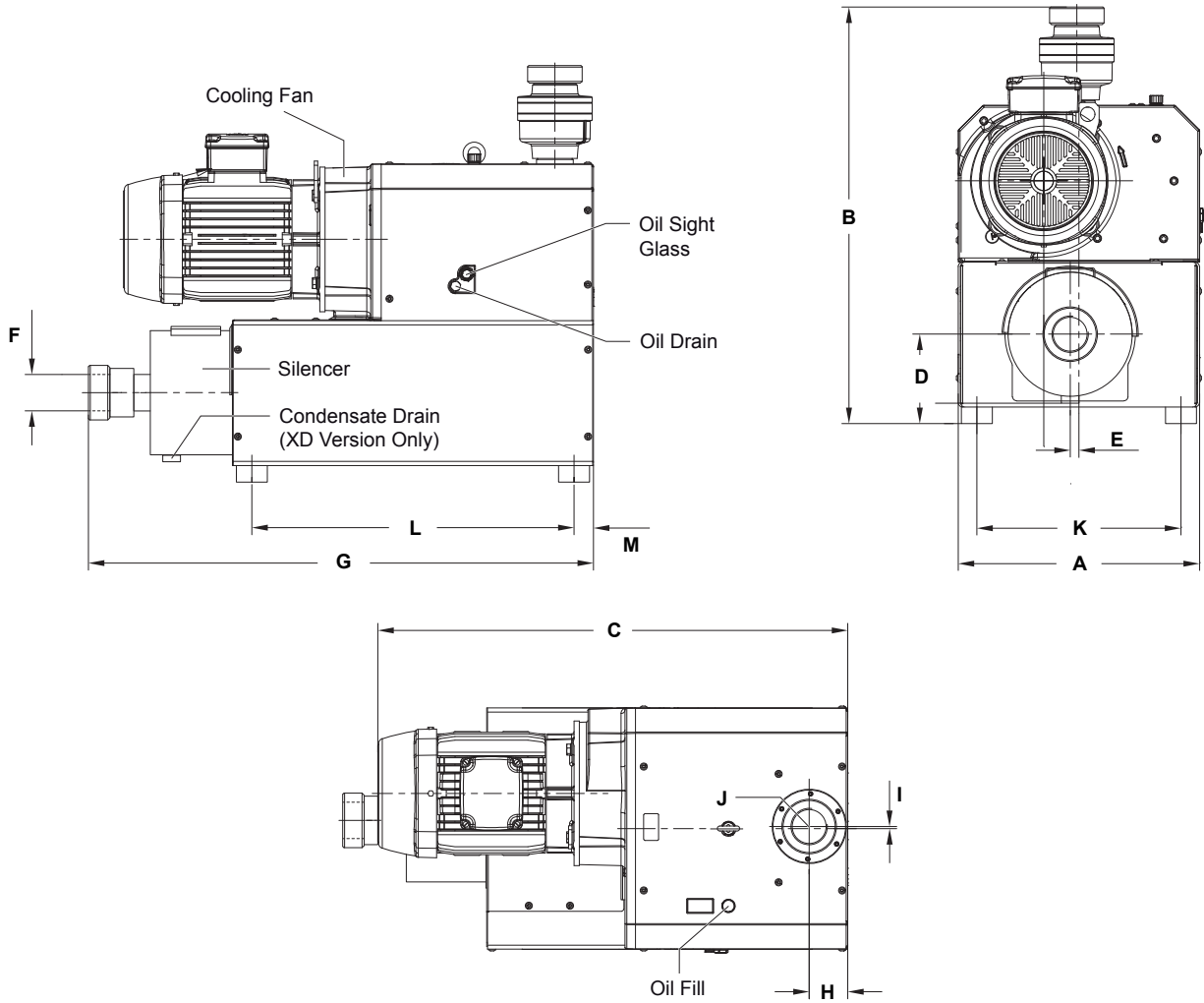
## Typical Pumping Speed Curves



## Dimensions

Values shown are approximate and should not be used for construction.  
 Certified drawings are available through your local Kinney Sales Professional.

## Models KVC-401, KVC-501



Model	A	B	C	D	E	F - EXHAUST	G	H	I	J - INLET	K	L	M
<b>KVC-401</b>	23.54	36.76	41.64	8.5	.83	3" FNPT	50.04	3.7	.2	3" NPT	19.45	30.71	1.89
<b>in. / mm</b>	598	1010	1058	216	22		1271	94	5		494	780	48
<b>KVC-501</b>	23.54	39.84	44.95	8.5	.83	3" FNPT	48.98	3.7	.2	3" NPT	19.45	30.71	1.85
<b>in. / mm</b>	598	1012	1167	217	22		1245	95	6		495	781	48

## CONTACT US

For more information, contact your  
 Regional Sales Manager or call us at:

**1-800-825-6937**

Your Local Sales Professional:



Connect with us online:

[www.nwflowtech.com](http://www.nwflowtech.com)

[info@nwflowtech.com](mailto:info@nwflowtech.com)

**Northwest Flow Technologies | Engineering Services**

W. Washington: (253) 740-0530 | E. Washington: (509) 949-3368

Idaho & Montana: (208) 360-3833 | Oregon: (503) 708-9609