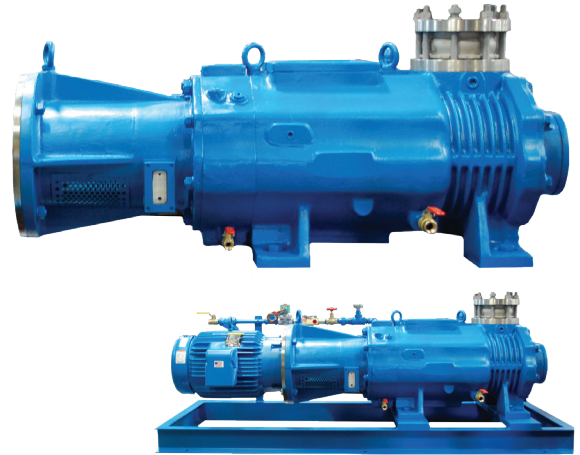


## Models

SDV-120    SDV-200

## Features

- Patented variable pitch rotor design
- Lower gas discharge temperatures – no cooling purges needed
- No oil or water in contact with process gases
- No metal-to-metal contact between operating parts
- Space saving C-face motor design eliminates need for motor coupling and guard
- Short gas path through the pump for quick discharge
- Quiet operation  $\leq 72$  dB(A)
- Niflon coated internals reduce damage from corrosive or condensable gases



## Materials of Construction

**CASING,**  
**END PLATES,**

**COVERS:** Ductile iron, uncoated

**ROTORS:** Ductile iron, Niflon coating

**TIMING GEARS:** Alloy steel, precision ground, helical type

**SHAFT SEALS:**

**Drive End:** Mechanical seal & lip seal

**Non-Drive End:** Triple lip seals (Double on SDV-120)

**Drive Shaft:** Mechanical seal

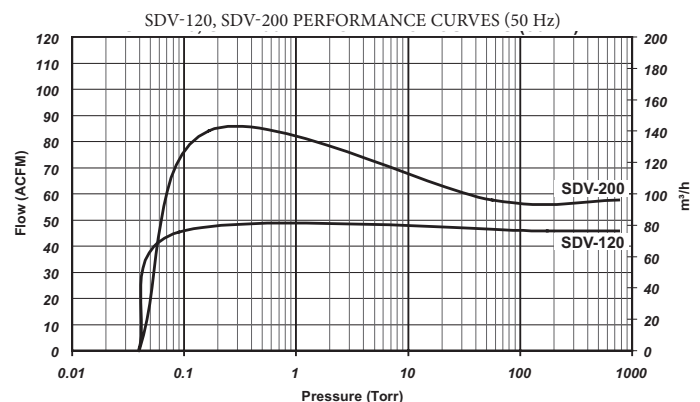
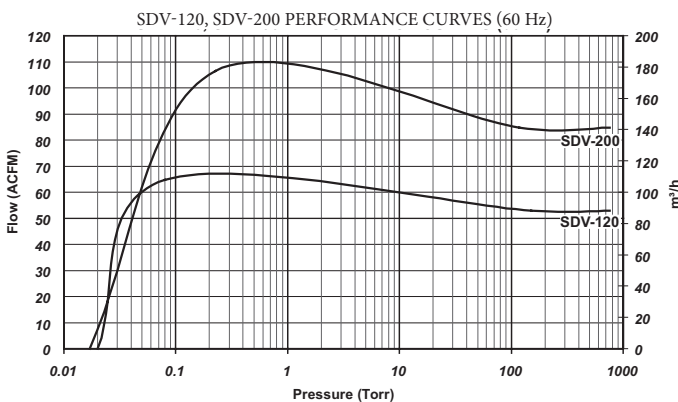
**O-RINGS:** Kalrez® compound 6375

Kalrez® is a registered trademarks of E.I. duPont de Nemours and Company.

## Specifications

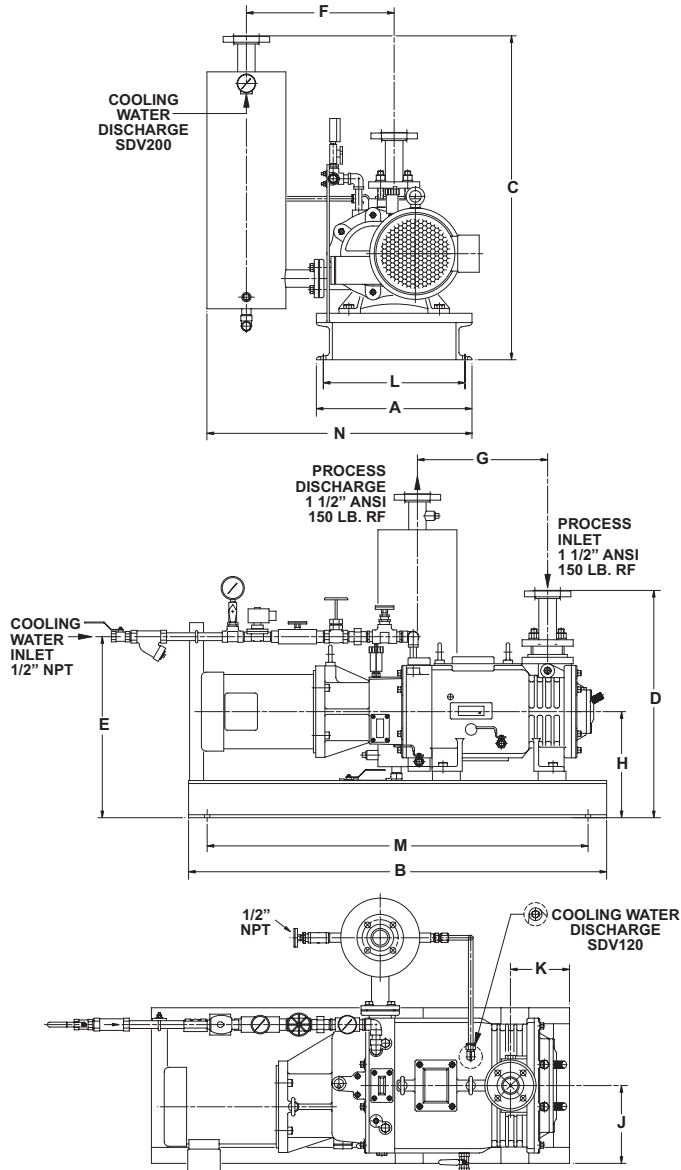
MODEL	CAPACITY (60 HZ) (50 HZ) CFM / m <sup>3</sup> /h	ULTIMATE PRESSURE (60 Hz) (50 Hz) Torr / mbar	ROTATION SPEED 60 Hz / 50 Hz	MOTOR HP	POWER CONSUMPTION 60 Hz / 50 Hz kW	SUCTION FLANGE (ANSI, 150# RF) in. / mm	DISCHARGE FLANGE (ANSI, 150# RF) in. / mm	COOLING WATER GPM / L/min	NOISE LEVEL dB(A)
SDV-120	71 / 120 59 / 100	0.02 / 0.026 0.04 / 0.053	3500 / 2900	5	2.5 / 2.0	1.5 / 40	1.5 / 40	0.5 / 2.0	72
SDV-200	106 / 180 88 / 150	0.02 / 0.026 0.04 / 0.053	3500 / 2900	5	3.1 / 2.6	1.5 / 40	1.5 / 40	1.1 / 4.0	72

## Typical Pumping Speed Curves



## Dimensions

Values shown are approximate and should not be used for construction.  
 Certified drawings are available through your local Tuthill Vacuum & Blower Systems Sales Professional.



in. mm.	A	B	C	D	E	F	G	H	J	K	L	M	N	BARE SHAFT LBS kg	COMPLETE UNIT LBS kg
SDV-120	16.75 425	41.25 1048	30.52 775	23.31 592	18.09 459	11.87 301	9.45 240	10.51 267	8.41 214	4.96 126	15.25 387	37.25 946	22.7 577	397 180	755 343
SDV-200	16.75 425	45.00 1143	34.87 886	24.47 622	19.48 495	15.91 404	14.02 356	11.42 290	8.38 213	6.35 161	15.25 387	41.00 1041	28.7 729	485 220	844 383

Your Local Tuthill Vacuum Blower Systems Sales Professional:



Western Washington: 253-740-0530  
 Eastern Washington: 509-949-3368  
 Idaho & Montana: 208-360-3833  
 Oregon: 503-708-9609  
[info@nwflowtech.com](mailto:info@nwflowtech.com)



Tuthill Vacuum & Blower Systems  
 4840 West Kearney Street  
 Springfield, Missouri USA 65803-8702  
 o 417.865.8715 800.825.6937 f 417.865.2950  
[tuthillvacuumblower.com](http://tuthillvacuumblower.com)

